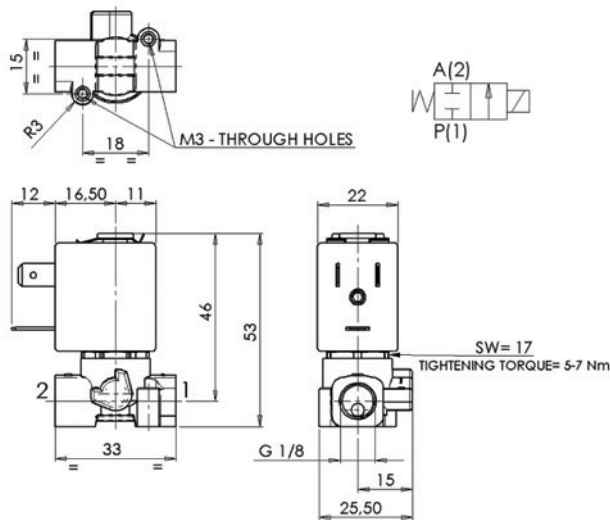




**SOLENOID VALVE**  
**2/2- NC (Normally closed)**  
 Direct acting  
**G 1/8**

**L172**



► **GENERAL FEATURES**

Direct acting solenoid valve.  
 Available also integrated on manifold (2+10 actuators), see the technical data sheet L672.  
 Suitable to shut off liquid and gaseous fluids (verify the compatibility of fluid with material in contact).

► **TECHNICAL FEATURES**

Maximum allowable pressure (PS) 50bar  
 Opening time ~10ms  
 Closing time ~10ms  
 Fluid temperature -10°C +130°C  
 Max viscosity 5°E (~37 cStokes o mm<sup>2</sup>/s)

► **MATERIALS IN CONTACT WITH FLUID**

Body Brass  
 Sealing FPM  
 Internal components Stainless steel  
 Seat Brass  
 Core tube Stainless steel  
 Shading coil Copper

► **COIL**

According to standards  
 Encapsulation material

Insulation class  
 Ambient temperature  
 Continuous duty  
 Electric connection

Protection degree

Voltages DC  
 AC

ZB10A	ZB12A	ZB14A
/	UL and CSA	UL and CSA
PA fiberglass reinforced	PET fiberglass reinforced	PET fiberglass reinforced
F (155°C) -10°C +60°C	F (155°C) -10°C +60°C	H (180°C) -10°C +75°C
ED 100%		
DIN 46340- 3 poles plug connector		
IP 65 (EN 60529) with plug connector	IP 67 (EN 60529) with plug connector	IP 67 (EN 60529) with plug connector
12-24V (+10% -5%)		
24V/50-60Hz - 115V/50Hz - 230V/50-60Hz (+10% -15%)		
(Other voltages and frequencies on request).		

Port size ISO 228	Orifice size (mm)	Differential pressure (bar)				Kv (m <sup>3</sup> /h)	Series and type		Power absorption				Sealings	Notes	Weight (kg)	
		Δp min	Δp max				Valve	Coil	AC (VA)			DC				
			Gases		Liquids				Inrush VA	Holding						
			AC	DC	AC					DC	VA					W
G1/8	1,2	0	28	20	28	20	L172V03	ZB10A ZB12A	12	6	4	5,5	FPM	1	0,160	
	1,6		20	12	20	12										
	2		15	6	15	6										
	2,4		12	4	12	4										

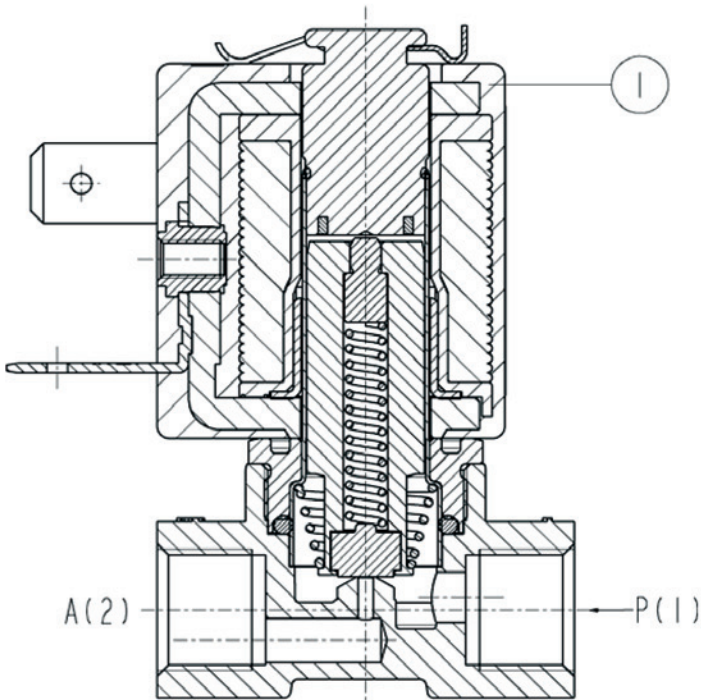
► **NOTES**

- Sealings: FPM = Fluoro-carbon elastomer
  - On request: - version with manual override: L172V01
    - sealings in EPDM (Ethylene-propylene elastomer): L172D03
    - body valve in stainless steel AISI 316: L172V07
    - body valve with special surface treatments
    - coil in class H (ZB14A – see § "COIL")
    - WRAS approved version (PSmax=12bar): L172Q03
    - grease/oil free versions
- 1 – ZB12 and ZB14 coils fitted with sealing gaskets underneath and on the upper part (see sectional view on the back)

# L172

## ► SPARE PARTS

WITH ZB10A COIL



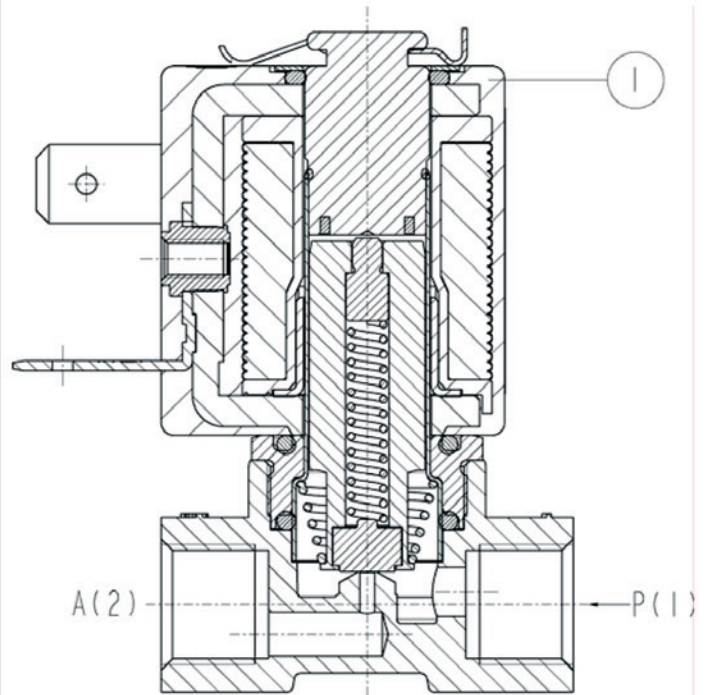
### Kit description

Coil

### Kit P.N.

ZB10A  
ZB12A  
ZB14A

WITH ZB12A – ZB14A



### Consisting of:

Coil pos.1

## ► INSTALLATION

- Solenoid valve can be mounted in any position; vertical with coil upwards preferred.