

# NON ADJUSTABLE HYDRAULIC SERIES

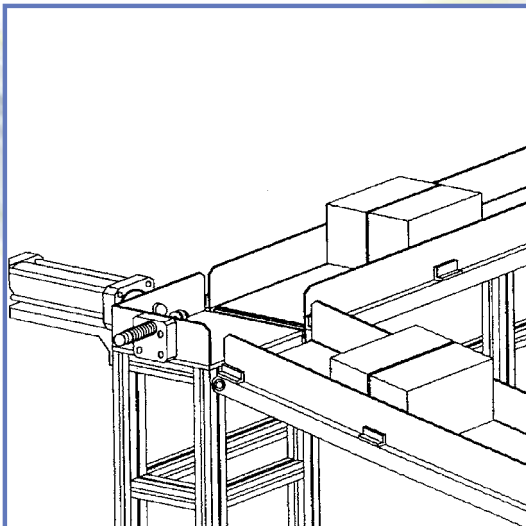


## AC Series-Porous Type, Self Compensation

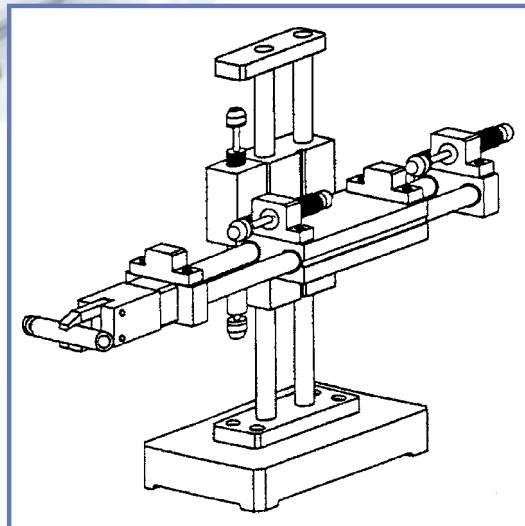


Model	Stroke (mm)	Max. Nm Per Cycle (Et)	Max. Nm Per Hour (ETc)	Max. Effective Mass (Me) kg	Max Impact Speed (v)m/s	Operating Temperature (°C)	Weight (g)
AC-1412-1	12	15	30,000	8	3.0	-10 ~ +80	80
AC-1412-2	12	15	30,000	50	1.5	-10 ~ +80	80
AC-1412-3	12	15	30,000	100	0.8	-10 ~ +80	80
AC-1416-1	16	20	35,000	10	3.0	-10 ~ +80	90
AC-1416-2	16	20	35,000	70	1.5	-10 ~ +80	90
AC-1416-3	16	20	35,000	150	0.8	-10 ~ +80	90
AC-2020-1	20	40	40,000	30	3.5	-10 ~ +80	215
AC-2020-2	20	40	40,000	200	2.0	-10 ~ +80	215
AC-2020-3	20	40	40,000	700	1.0	-10 ~ +80	215
AC-2050-1	50	60	60,000	60	3.5	-10 ~ +80	300
AC-2050-2	50	60	60,000	400	2.0	-10 ~ +80	300
AC-2050-3	50	60	60,000	1,200	1.0	-10 ~ +80	300

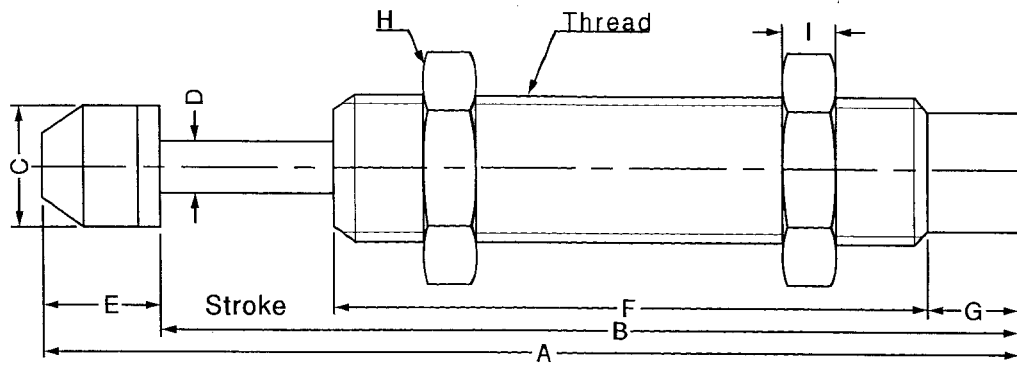
**Application Example:** Removing



**Application Example:** Pick & Place Robot

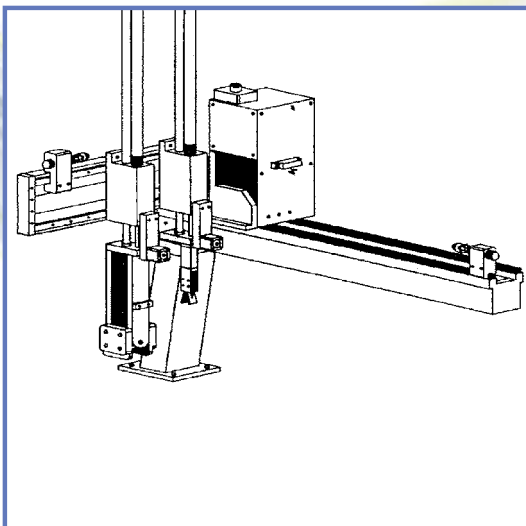


# Shock Absorber

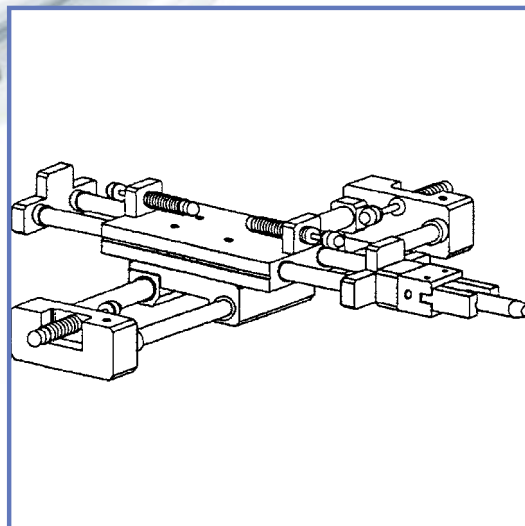


Model	Thread	Stroke (mm)	A	B	C	D	E	F	G	H	I
AC-1412-1	M14 X 1.5	12	98.7	88	12	4	10.7	67	9	19	6
AC-1412-2	M14 X 1.5	12	98.7	88	12	4	10.7	67	9	19	6
AC-1412-3	M14 X 1.5	12	98.7	88	12	4	10.7	67	9	19	6
AC-1416-1	M14 X 1.5	16	121.7	111	12	4	10.7	86	9	19	6
AC-1416-2	M14 X 1.5	16	121.7	111	12	4	10.7	86	9	19	6
AC-1416-3	M14 X 1.5	16	121.7	111	12	4	10.7	86	9	19	6
AC-2020-1	M20 X 1.5	20	146.8	130	18	6	16.8	101	9	26	8
AC-2020-2	M20 X 1.5	20	146.8	130	18	6	16.8	101	9	26	8
AC-2020-3	M20 X 1.5	20	146.8	130	18	6	16.8	101	9	26	8
AC-2050-1	M20 X 1.5	50	233.8	-	18	6	16.8	158	9	26	8
AC-2050-2	M20 X 1.5	50	233.8	-	18	6	16.8	158	9	26	8
AC-2050-3	M20 X 1.5	50	233.8	-	18	6	16.8	158	9	26	8

**Application Example:** Robot for Plastic Injection Molding Machine



**Application Example:** Slide Unit



# NON ADJUSTABLE HYDRAULIC SERIES

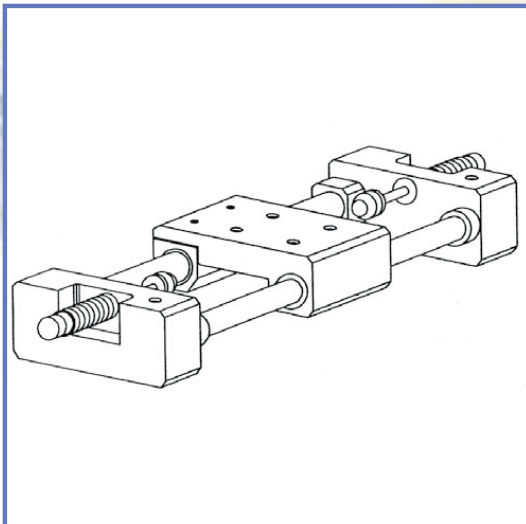


## NEW AC Series-Porous Type, Self Compensation

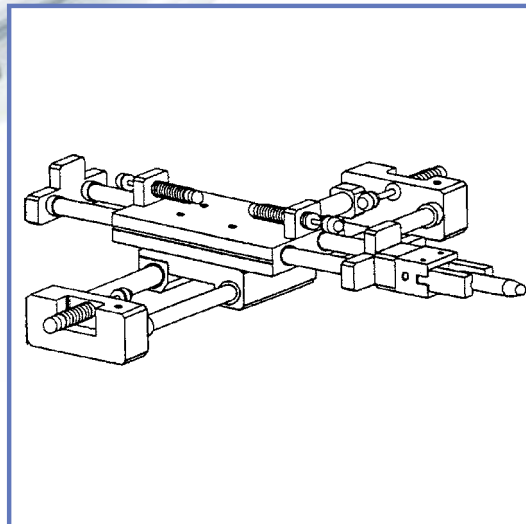


Model	Stroke (mm)	Max. Nm Per Cycle (Et)	Max. Nm Per Hour (ETc)	Max. Effective Mass (Me) kg	Max Impact Speed (v)m/s	Operating Temperature (°C)	Weight (g)
AC-0806-S N	6	3	7,000	6	0.3-2.5	-10 ~ +80	15
AC-0806-S	6	3	7,000	6	0.3-2.5	-10 ~ +80	17
AC-1007-S N	7	6	12,400	12	0.3-2.5	-10 ~ +80	25
AC-1007-S	7	6	12,400	12	0.3-2.5	-10 ~ +80	28
AC-1412-S N	12	20	33,000	40	0.3-2.5	-10 ~ +80	65
AC-1412-S	12	20	33,000	40	0.3-2.5	-10 ~ +80	70
AC-2015-S N	15	59	38,000	120	0.3-5.0	-10 ~ +80	150
AC-2015-S	15	59	38,000	120	0.3-5.0	-10 ~ +80	160
AC-2725-S N	25	147	72,000	270	0.3-5.0	-10 ~ +80	360
AC-2725-S	25	147	72,000	270	0.3-5.0	-10 ~ +80	375

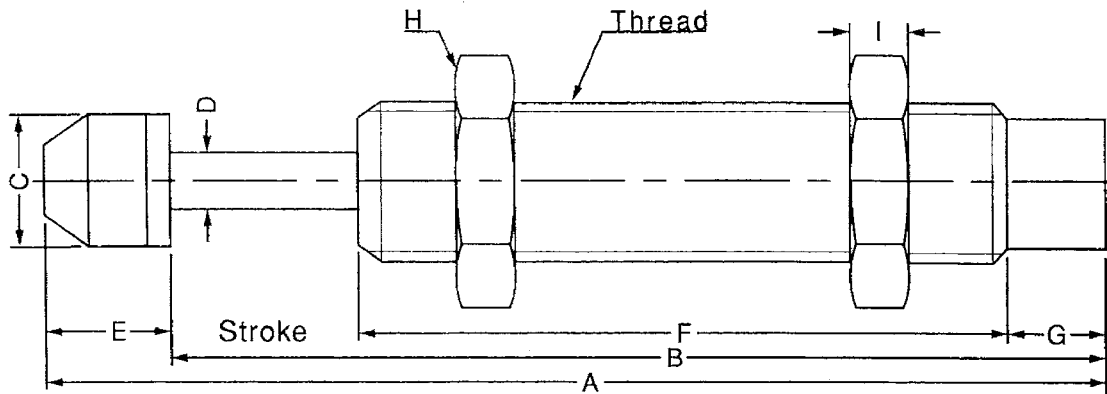
**Application Example:** Slide Unit Cylinder



**Application Example:** Slide Unit

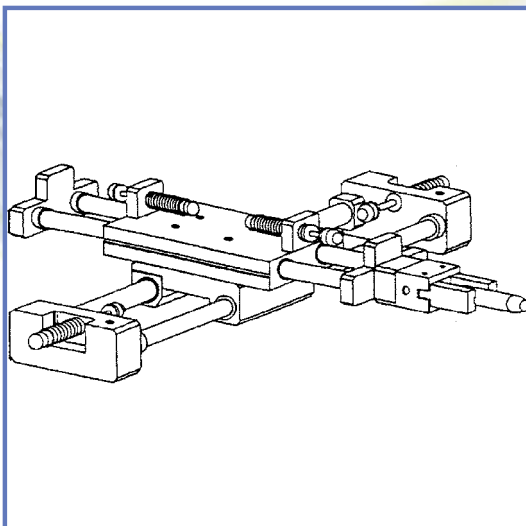


# Shock Absorber

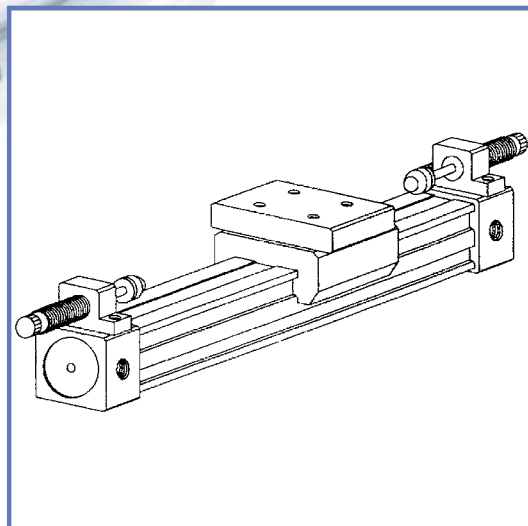


Model	Thread	Stroke (mm)	A	B	C	D	E	F	G	H	I
AC-0806-1	M8 X 1.0	6	52.4	44	6.6	2.8	8.4	33	5	11	3
AC-0806-2	M8 X 1.0	6	52.4	44	6.6	2.8	8.4	33	5	11	3
AC-0806-3	M8 X 1.0	6	52.4	44	6.6	2.8	8.4	33	5	11	3
AC-1005-1	M10 X 1.0	5	41.2	32.7	8.6	3	8.5	22.9	4.8	12.7	3
AC-1005-2	M10 X 1.0	5	41.2	32.7	8.6	3	8.5	22.9	4.8	12.7	3
AC-1005-3	M10 X 1.0	5	41.2	32.7	8.6	3	8.5	22.9	4.8	12.7	3
AC-1008-1	M10 X 1.0	8	59.5	51	8.6	3	8.5	38	5	12.7	3
AC-1008-2	M10 X 1.0	8	59.5	51	8.6	3	8.5	38	5	12.7	3
AC-1008-3	M10 X 1.0	8	59.5	51	8.6	3	8.5	38	5	12.7	3
AC-1210-1	M12 X 1.0	10	69.5	60	10.3	3	9.5	45.5	4.5	14	4
AC-1210-2	M12 X 1.0	10	69.5	60	10.3	3	9.5	45.5	4.5	14	4
AC-1210-3	M12 X 1.0	10	69.5	60	10.3	3	9.5	45.5	4.5	14	4

**Application Example:** Slide Unit



**Application Example:** Rodless Cylinder



# ADJUSTABLE HYDRAULIC SERIES

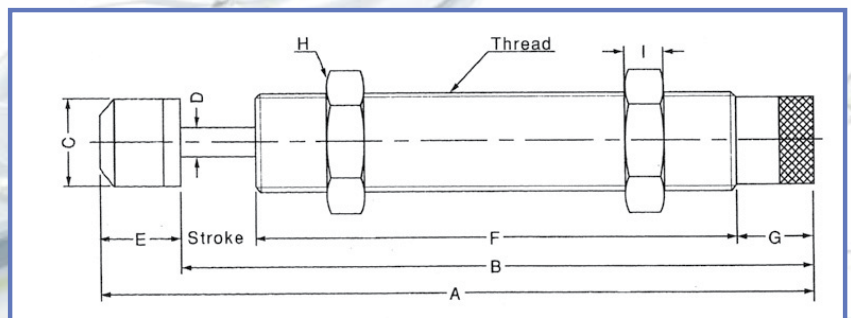


## AD Series-Adjustable

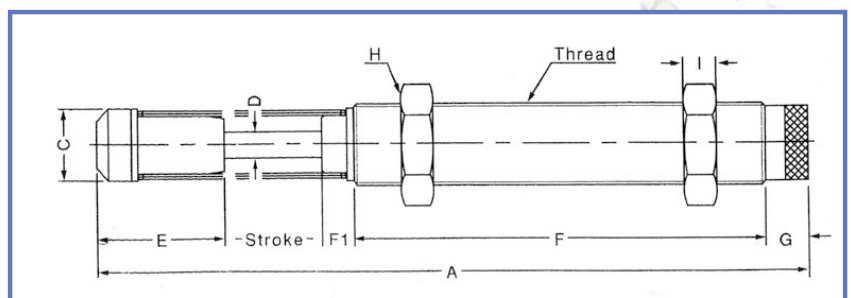


Model	Stroke (mm)	Max. Nm Per Cycle (Et)	Max. Nm Per Hour (ETc)	Max. Effective Mass (Me) kg	Max Impact Speed (v)m/s	Operating Temperature (°C)	Weight (g)
AD-1410 N	10	20	25,000	80	3.0	-10 ~ +80	84
AD-1410	10	20	25,000	80	3.0	-10 ~ +80	90
AD-2016 N	16	25	30,000	200	3.5	-10 ~ +80	222
AD-2016	16	25	30,000	200	3.5	-10 ~ +80	230
AD-2525 N	25	85	54,000	400	3.5	-10 ~ +80	335
AD-2525	25	85	54,000	400	3.5	-10 ~ +80	350
AD-2540	40	100	80,000	700	3.5	-10 ~ +80	455
AD-3650	50	300	100,000	1,400	3.0	-10 ~ +80	1,100
AD-4225	25	260	125,000	3,000	3.5	-10 ~ +80	1,280
AD-4250	50	500	150,000	4,000	4.5	-10 ~ +80	1,490
AD-4275	75	750	180,000	6,000	4.5	-10 ~ +80	1,710

**AD-1410  
AD-2016  
AD-2525**



**AS-2540**

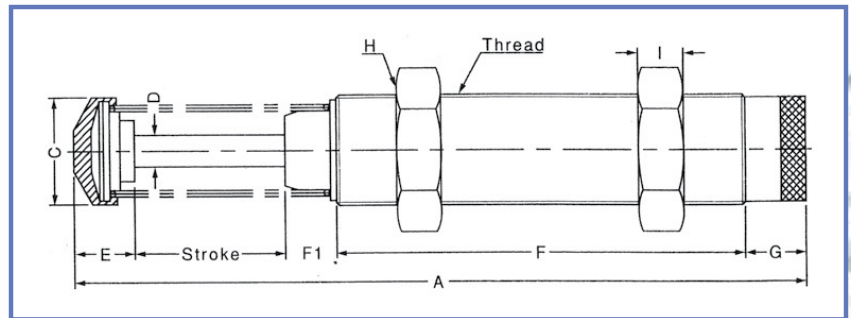




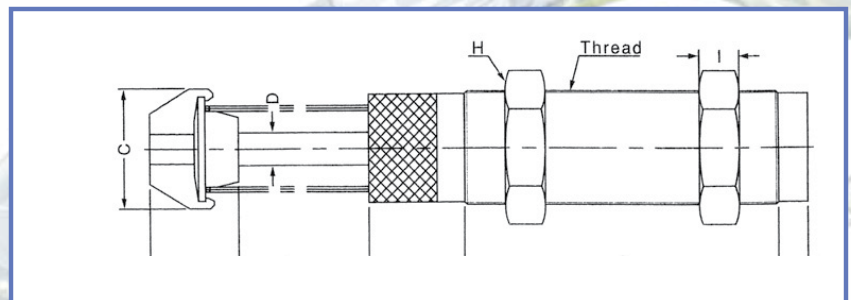
# Shock Absorber

Model	Thread	Stroke (mm)	A	B	C	D	E	F	G	H	I
AD-1410 N	M14 X 1.5	10	-	98.5	-	4	-	72.5	16	19	6
AD-1410 N	M14 X 1.5	10	109.2	-	12	4	10.7	72.5	16	19	6
AD-2016 N	M20 X 1.5	16	-	133	-	6	-	101	16	26	8
AD-2016	M20 X 1.5	16	149.8	-	18	6	16.8	101	16	26	8
AD-2525 N	M25 X 1.5	25	-	143.5	-	8	-	101	17.5	32	10
AD-2525	M25 X 1.5	25	163	-	22	8	19.5	101	17.5	32	10
AD-2540	M25 X 1.5	40	223.8	-	22	8	39.3	127	17.5	32	10
AD-3650	M36 X 1.5	50	240.8	-	35	10	19.8	134	20	46	15
AD-4225	M42 X 1.5	25	186.4	-	44.5	12	33.9	88	11	50	15
AD-4250	M42 X 1.5	50	240.9	-	44.5	12	33.9	117.5	11	50	15
AD-4275	M42 X 1.5	75	301.4	-	44.5	12	38.9	148	11	50	15

**AD-1410**  
**AD-2016**  
**AD-2525**



**AS-2540**



# NON ADJUSTABLE HYDRAULIC SERIES

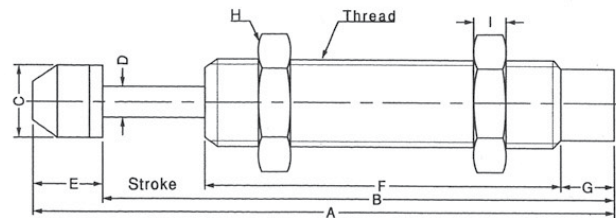


## AC Series-Porous Type, Self Compensation

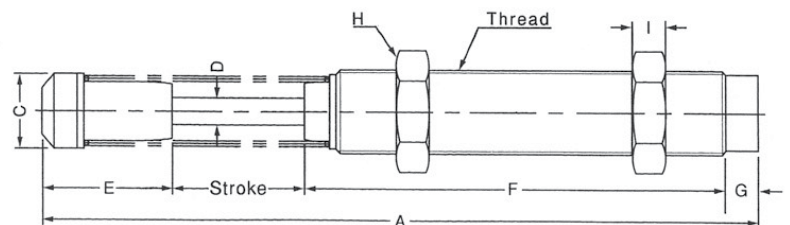


Model	Stroke (mm)	Max. Nm Per Cycle (Et)	Max. Nm Per Hour (ETc)	Max. Effective Mass (Me) kg	Max Impact Speed (v)m/s	Operating Temperature (°C)	Weight (g)
AC-2525-1	25	80	54,000	200	4.0	-10 ~ +80	330
AC-2525-2	25	80	54,000	800	2.5	-10 ~ +80	330
AC-2525-3	25	80	54,000	1,500	1.0	-10 ~ +80	330
AC-2540--1	40	120	75,000	300	4.0	-10 ~ +80	430
AC-2540--2	40	120	75,000	1200	2.5	-10 ~ +80	430
AC-2540-3	40	120	75,000	2000	1.0	-10 ~ +80	430
AC-3660-1	60	250	120,000	400	4.0	-10 ~ +80	1,030
AC-3660-2	60	250	120,000	1,500	2.5	-10 ~ +80	1,030
AC-3660-3	60	250	120,000	2,400	1.0	-10 ~ +80	1,030
ACD-2030-1	30	45	55,000	40	3.5	-10 ~ +80	220
ACD-2030-2	30	45	55,000	300	2.0	-10 ~ +80	220
ACD-2030-3	30	45	55,000	900	1.0	-10 ~ +80	220

### AC-2525



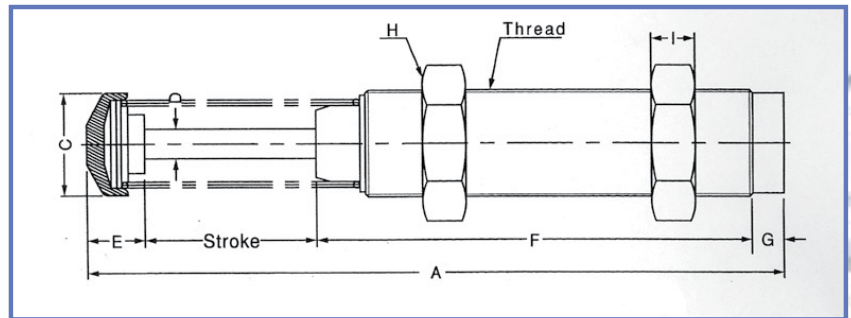
### AC-2540



# Shock Absorber

Model	Thread	Stroke (mm)	A	B	C	D	E	F	G	H	I
AC-2525-1	M25 X 1.5	25	155.5	136	22	8	19.5	101	10	32	10
AC-2525-2	M25 X 1.5	25	155.5	136	22	8	19.5	101	10	32	10
AC-2525-3	M25 X 1.5	25	155.5	136	22	8	19.5	101	10	32	10
AC-2540-1	M22 X 1.5	40	216.3	-	22	8	39.3	127	10	32	10
AC-2540-2	M25 X 1.5	40	216.3	-	22	8	39.3	127	10	32	10
AC-2540-3	M25 X 1.5	40	216.3	-	22	8	39.3	127	10	32	10
AC-3660-1	M36 X 1.5	60	241.8	-	22	10	19.8	151	11	46	15
AC-3660-2	M36 X 1.5	60	241.8	-	35	10	19.8	151	11	46	15
AC-3660-3	M36 X 1.5	60	241.8	-	35	10	19.8	151	11	46	15
AC-2030-1	M20 X 1.5	30	186.6	-	18	6	16.8	116	7	26	8
AC-2030-2	M20 X 1.5	30	186.6	-	18	6	16.8	116	7	26	8
AC-2030-3	M20 X 1.5	30	186.6	-	18	6	16.8	116	7	26	8

**AC-3660**



**ACD-2030**

