

## Quick Selection Guide

Cylinder Capacity	Stroke (mm)	Model Number	Collapsed Height (mm)	Oil Capacity (cc)	Weight (kg)
5 Ton 44 kN	25	H0501	116	16	1.4
	78	H0503	169	50	1.5
	129	H0505	221	83	1.8
	180	H0507	272	116	2.1
	229	H0509	324	148	2.5
10 Ton 89 kN	25	H1001	92	36	1.8
	51	H1002	123	74	2.3
	102	H1004	174	147	3.5
	151	H1006	250	218	4.3
	202	H1008	301	292	5.1
	253	H1010	352	366	5.9
	304	H1012	403	439	6.8
15 Ton 133 kN	25	H1501	124	50	3.1
	51	H1502	149	103	3.9
	101	H1504	200	205	5.0
	152	H1506	270	308	6.7
	203	H1508	321	411	7.8
	254	H1510	372	515	9.1
	305	H1512	423	618	10.2
	356	H1514	474	721	11.4
25 Ton 222 kN	26	H2501	143	86	5.5
	51	H2502	168	170	6.4
	102	H2504	219	339	8.2
	155	H2506	272	515	10.1
	206	H2508	323	684	11.9
	257	H2510	374	854	13.7
	310	H2512	426	1030	15.6
30 Ton 267 kN	362	H2514	476	1203	17.4
	210	H3008	387	879	18.5
55 Ton 489 kN	51	H5502	176	360	15.0
	103	H5504	227	730	18.6
	159	H5506*	283	1126	26.1
	260	H5510*	385	1844	30.6
75 Ton 667 kN	337	H5513*	461	2388	39.5
	156	H7506*	285	1620	33.6
100 Ton 890 kN	333	H7513*	492	3459	55.3
	51	H10002*	219	677	29.9
	168	H10006*	357	2229	57.6
	260	H10010*	449	3453	69.4

See pages 8-9 for detailed specifications.

\* Cylinder is equipped with carrying handle.



H Series

Cylinders

**Cylinder Accessories**  
See the assortment of accessories designed to work with our products. pg 40

**Combo Kits**  
Most cylinders are available in easy to order kits: Cylinder, Gauge, Couplers, Hose and Pump. pg 60

**Related Product: Gauges**  
Reduce the risk of overloading your product by using a gauge. A variety of graduations and types to suit any need. pg 65

**Safety Instructions**  
Visit our DO'S and DON'TS section to review the best methods of operation. Always be prepared. pg 102

**High-Flow Couplers**  
High-Flow Coupler: CH38F is included on all models (except where specified).

**Optional Tilt-Saddles**  
Saddles tilt to a 5% maximum to adjust to the load. Match up these saddles with the following cylinders:

- SDT05 → H05 Cylinders
- SDT10 → H10 Cylinders
- SDT15 → H15 Cylinders
- SDT25 → H25 Cylinders
- SDT55 → H55, H75, H100 Cylinders

pg 41



## Hand Pumps

Aluminum and Steel



### P Series

**Combo Kits**  
Most hand pumps are available in easy to order kits; Pump, Gauge, Couplers, Hose and Cylinder pg 60

**Related Product: Gauges**  
Reduce the risk of overloading your product by using a gauge. A variety of graduations and types to suit any need. pg 65

**Safety Instructions**  
Visit our DO'S and DON'TS section to review the best methods of operation. Always be prepared. pg 102

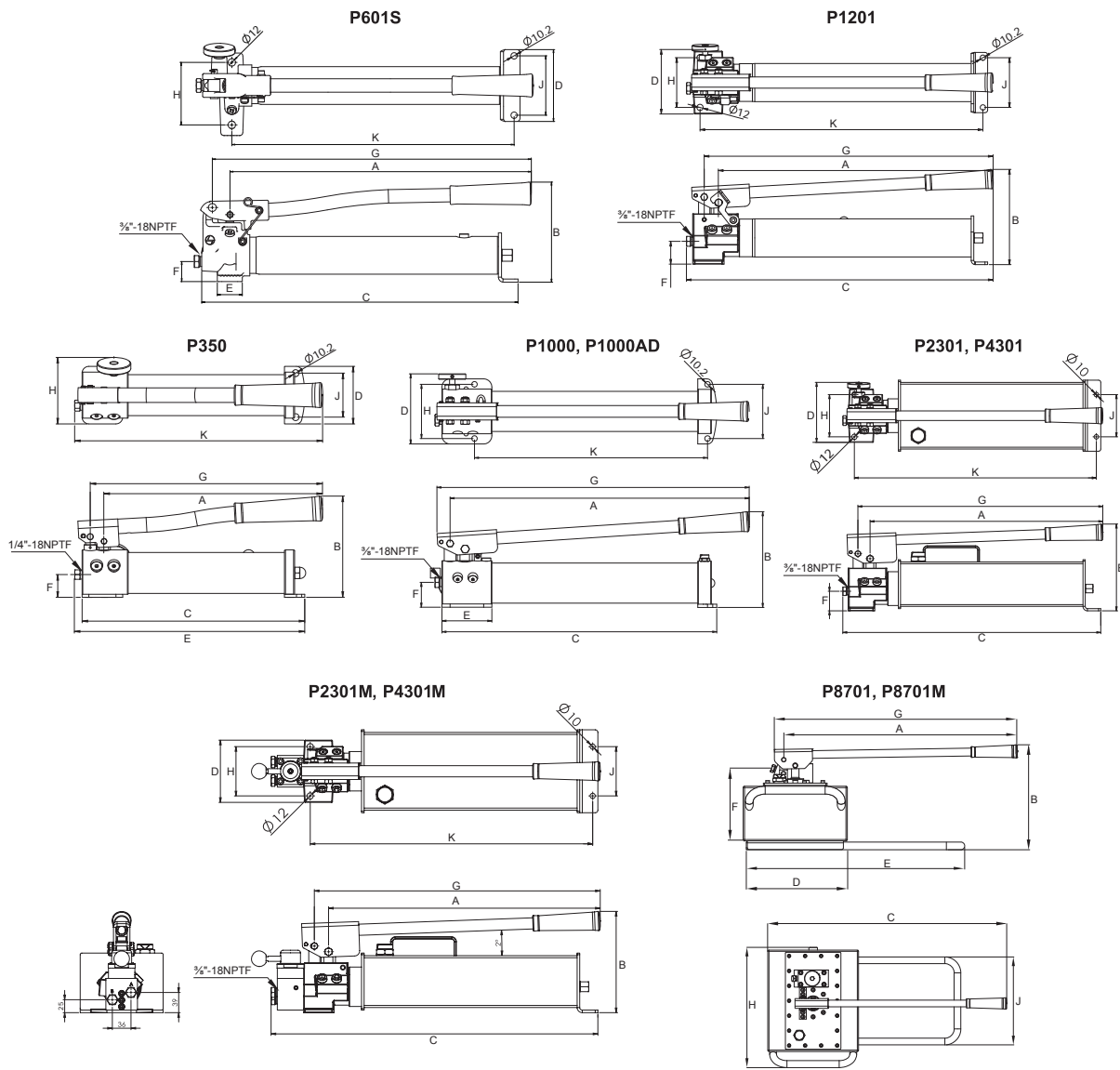
**Product Information**

- Metal reservoirs resist cracking
- Internal pressure relief valve for overload protection
- Perfect for use with cylinders and hydraulic tools or OEM applications
- Two-Speed pumps reduce user fatigue and increase productivity
- P1000AD can not only be used in the standard horizontal position, but can also be used with the outlet port facing upwards or downwards position providing more flexibility in operation

**CE**

Model Number	Usable Oil Capacity (cc)	Oil Outlet Port	Pressure Rating/Oil Displacement per Stroke		Piston Stroke (mm)	Handle Operating Force (N)	Reservoir Construction
			1 <sup>st</sup> Stage (BAR/cc)	2 <sup>nd</sup> Stage (BAR/cc)			
<b>Single Speed - Single Acting</b>							
P601S	600	3/8"-18 NPTF	-	700/2.46	20	484.9	Steel
<b>2-Speed - Single Acting</b>							
P350	350	1/4"-18 NPTF	13.8/2.95	700/0.82	10	391.4	Aluminum
P1000	1000	3/8"-18 NPTF	13.8/13.27	700/2.29	21	440.4	Aluminum
P1000AD*	870-1000	3/8"-18 NPTF	13.8/13.27	700/2.29	21	440.4	Aluminum
P1201	1100	3/8"-18 NPTF	13.8/13.27	700/2.29	21	440.4	Steel
P2301	2200	3/8"-18 NPTF	13.8/13.27	700/2.29	21	440.4	Steel
P4301	4100	3/8"-18 NPTF	13.8/13.27	700/2.29	21	440.4	Steel
P8701	7800	3/8"-18 NPTF	20.01/126.34	700/4.75	43	636.1	Steel
<b>2-Speed - Double Acting</b>							
P2301M	2200	3/8"-18 NPTF	13.8/13.27	700/2.29	21	440.4	Steel
P4301M	4100	3/8"-18 NPTF	14/13.2	700/2.3	526	440.0	Steel
P8701M	7800	3/8"-18 NPTF	20.01/126.34	700/4.75	43	636.1	Steel

\* Oil capacity varies by position. Pump can be mounted outlet up or down



Model Number	Dimensions (mm)										Weight w/Oil (kg)
	A	B	C	D	E	F	G	H	J	K	
<b>Single Speed - Single Acting</b>											
P601S	482	160	506	115	40	32	511	100	95	452	5.9
<b>2-Speed - Single Acting</b>											
P350	323	150	329	85	340	34	343	98	65	366	3.0
P1000	552	175	507	120	92	32	576	100	100	430	6.2
P1000AD*	552	177	507	129	92	46	576	100	100	430	6.2
P1201	525	182	586	123	-	44	552	95	95	540	9.3
P2301	525	173	609	135	-	44	553	95	90	573	12.6
P4301	524	195	581	135	-	44	551	95	95	545	17.1
P8701	655	295	771	293	614	210	684	387	284		34.5
<b>2-Speed - Double Acting</b>											
P2301M	525	173	659	120	-	-	553	95	90	573	14.7
P4301M	524	195	630	120	-	-	552	95	95	545	19.0
P8701M	655	295	771	293	614	229	684	387	284		35.1

\* Oil capacity varies by position. Pump can be mounted outlet up or down and does not need to be horizontal



## Foot Pump

P57 Series - 10,000 PSI



P570FP



### Safety Practices

Good industry practice recommends not exceeding 80% of maximum rated capacities of all our products.



### HF Kits

Consider using our portable HF kits in conjunction with this pump.

pg.19



### Safety Instructions

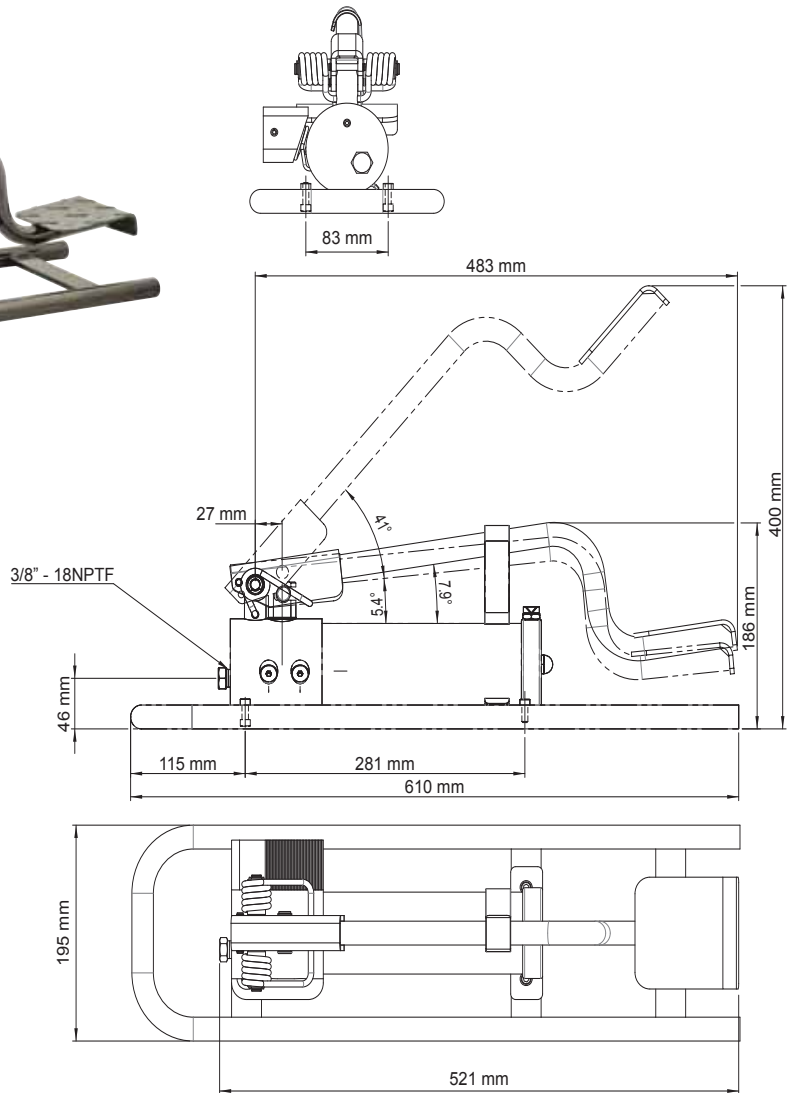
Visit our DO'S and DON'TS section to review the best methods of operation. Always be prepared.

pg.102



### High-Flow Couplers

High-Flow Coupler: CH38F is included on all models (except where specified).



### Related Product: Nut Splitters

The HNS nut splitters pair up with this portable foot pump. Our hydraulic nut splitters come in a spacious tool box so its easy to carry around from site-to-site. This tool box is large enough to hold small cylinders, saddles, spacers or whatever tool you need to bring with you to your next job site.



Model Number	Bolt Range	Hexagon Nut Range
NS1319	6-12	13-19
NS1924	12-16	19-24
NS2432	16-22	24-32
NS3241	22-27	32-41
NS4150	27-33	41-50
NS5060	33-39	50-60
NS6075	39-48	60-75

pg.92

Usable Oil (cc)	Model Number	Pressure Rating (BAR)		Oil Displacement per Stroke (cc)		Max. Handle Effort (kg)	Piston Stroke (mm)	Weight (kg)
		1st Stage	2nd Stage	"1st Stage"	2nd Stage			
500	P570FP	13.8	690	13	2	57.7	21	8.2

# All Position Aluminium Pumps

- Pump can work in any position
- Mounting plate allows the pump to be securely fastened.



Model Number	Usable Oil Capacity (L)	Oil Outlet Port	Output Flow Rate		Input Air Pressure Required (BAR)	Air Consumption (L/min)	Reservoir Construction
			No Load (L/min)	Load (L/min)			
<b>Single Acting</b>							
PA600	138.5	3/8"-18 NPTF	1.00	0.15	7.59-12.07	220.87	Aluminum
PA600H	138.5	3/8"-18 NPTF	1.00	0.15	7.59-12.07	220.87	Aluminum

Model Number	Usable Oil Capacity (cc)	Oil Outlet Port	Pressure Rating/Oil Displacement per Stroke		Piston Stroke (mm)	Handle Operating Force (N)	Reservoir Construction
			1 <sup>st</sup> Stage (BAR/cc)	2 <sup>nd</sup> Stage (BAR/cc)			
<b>2-Speed - Single Acting</b>							
P1000AD*	869-1016	3/8"-18 NPTF	13.8/13.27	700/2.29	21	440.4	Aluminum

\* Oil capacity varies by position. Pump can be mounted outlet up or down

For sizes: P1000AD - Page 44  
PA600 & PA600H - Page 48





## Air Pumps

Air Actuated Power

### PA Series



PA1500



PA600H



PA600



PA2000

PA3801

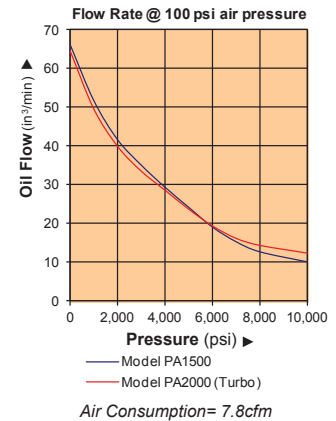
PA7550



PA7550M

PA3801M

PA1500M



#### Product Information

- Metal reservoirs resist cracking
- US Patent No. 5,946,912, a built in bypass device protects the hydraulic system from over pumping damage
- A compact yet powerful Air Turbo Motor US Patent No. 5,341,723
- Suggested air inlet range: 110-175 psi / 7.6-12.1 bar
- Maximum working pressure: 10,000 psi / 700 Bar



#### PA1500A Pressure Adjustment



PA1500A Pressure can be adjusted externally from 1,000 psi / 70 Bar to 10,000 psi / 700 Bar.

Model Number	Usable Oil Capacity (L)	Oil Outlet Port	Output Flow Rate		Input Air Pressure Required (BAR)	Air Consumption (L/min)	Reservoir Construction
			No Load (L/min)	Load (L/min)			
<b>Single Acting</b>							
PA600	138.5	3/8"-18 NPTF	1.00	0.15	7.59-12.07	220.87	Aluminum
PA600H	138.5	3/8"-18 NPTF	1.00	0.15	7.59-12.07	220.87	Aluminum
PA1500	346.4	3/8"-18 NPTF	1.08	0.18	7.59-12.07	220.87	Aluminum
PA1500A*	346.4	3/8"-18 NPTF	1.08	0.18	7.59-12.07	220.87	Aluminum
PA1500L**	346.4	3/8"-18 NPTF	1.00	0.16	7.59-12.07	220.87	Aluminum
PA2000	462.2	3/8"-18 NPTF	1.07	0.20	7.59-12.07	220.87	Aluminum
PA3801	877.8	3/8"-18 NPTF	1.07	0.18	7.59-12.07	220.87	Steel
PA3801L**	877.8	3/8"-18 NPTF	1.00	0.16	7.59-12.07	220.87	Steel
PA7550	1743.6	3/8"-18 NPTF	1.07	0.18	7.59-12.07	220.87	Steel
<b>Double Acting</b>							
PA1500M	346.4	3/8"-18 NPTF	1.08	0.18	7.59-12.07	220.87	Aluminum
PA3801M	877.8	3/8"-18 NPTF	1.07	0.18	7.59-12.07	220.87	Steel
PA7550M	1743.6	3/8"-18 NPTF	1.07	0.18	7.59-12.07	220.87	Steel

\* This unit is equipped with an external pressure adjustment (70-700 bar)

\*\*These pumps are equipped with a hand held air powered pendant