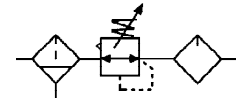


DC Air Source Treatment Unit

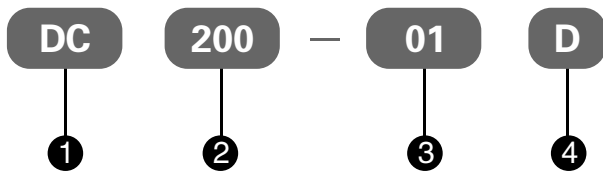
Filter+Regulator+Lubricator

Specification:

Type	DC100-M5,01	DC200-01,02,03	DC400-03,04,06	DC600-06,08
Port size G	M5 · 1/8"	1/8" · 1/4" · 3/8"	3/8" · 1/2" · 3/4"	3/4" · 1"
Gauge thread G	M5	1/8"	1/4"	
Fluid	Compressed Air			
Operating pressure range MPa	0.15~0.85	0.15~1.2		
Max.Flow rate L/min	500	1700	3500	11500
Ambient temperature °C	-10~60			
Filter precision	5µm or 40 µm			
Structure	Overflow type			
Guard cup	-	●	●	●

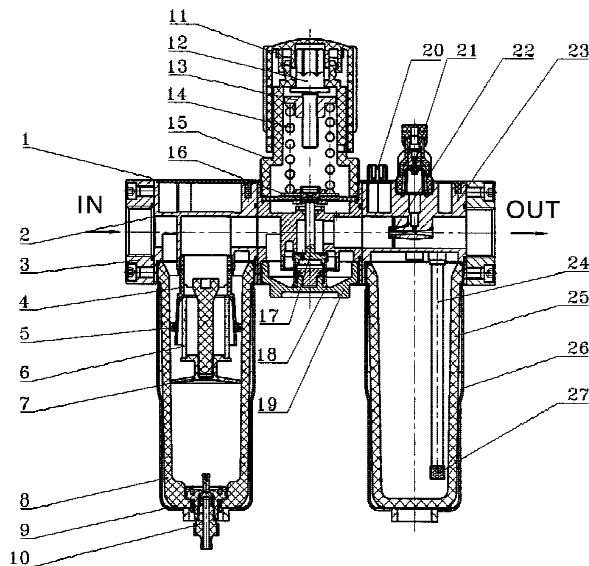


How to order:



①	DC Filter+Regulator+Lubricator
②	Type: 100,200,400,600
③	Port size: M5,01:G1/8",02:G1/4",03:G3/8",04:G1/2",06:G3/4",08:G1"
④	□: Manual drain, D: Auto-drain;

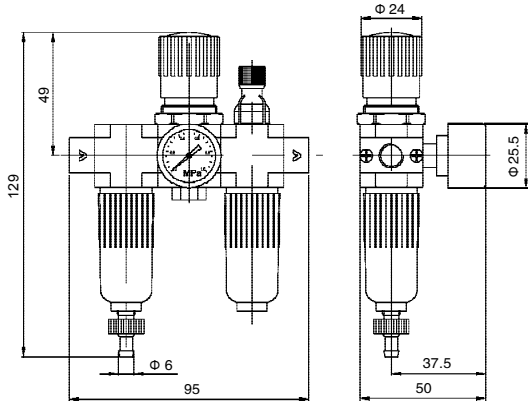
Inner structure drawing:



No	Code	No	Code
1	Decorative cover	15	Valve cover
2	Filter body	16	Diaphragm
3	Connecting block	17	regulator core
4	Core pedestal	18	Regulator core spring
5	Impeller	19	Valve cover
6	Filter core	20	Plug
7	Barrier board	21	Oil window components
8	Water cup	22	Damping fin
9	Guard cup	23	Lubricator valve body
10	Drainer	24	Oil tube
11	Adjustable button	25	Oil cup
12	Adjustable launch	26	Oil cup block
13	Nut	27	Filter core
14	Main adjustable spring		

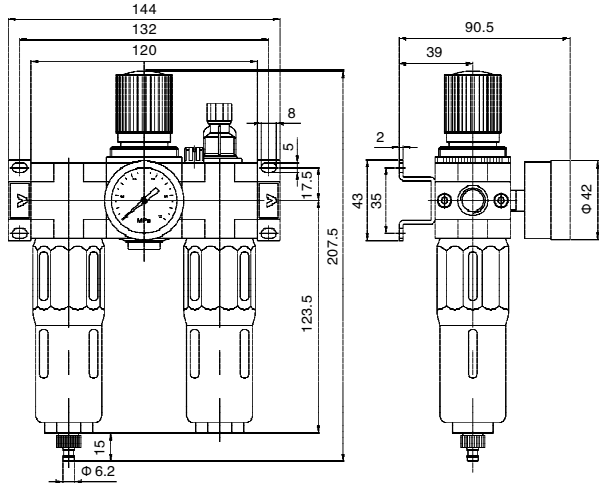
Dimension(mm):

■ DC100-M5、01

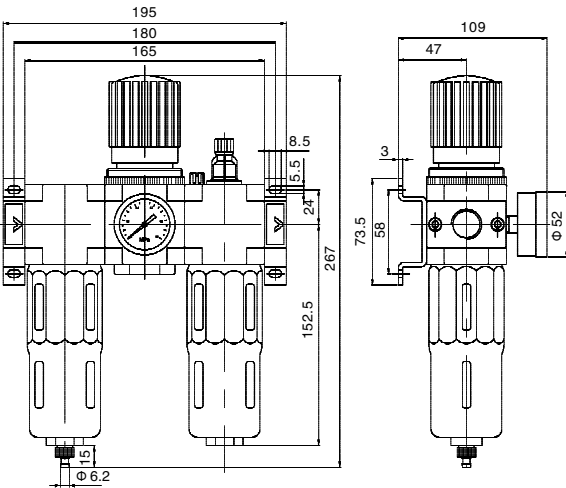


M5 is without connector

■ DC200-01、02、03



■ DC400-03、04、06



■ DC600-06、08

