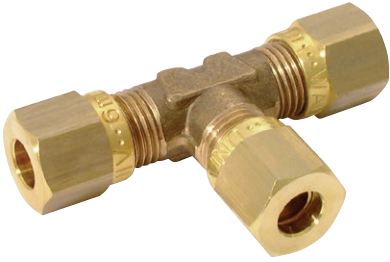


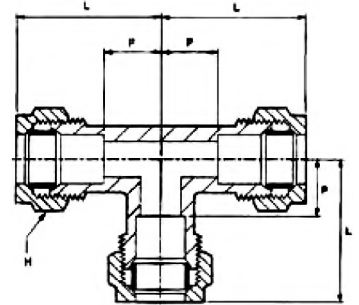
## Equal Tee, Metric

# Wade



### Features & Benefits

- 'T' configuration
- Enables connection of three tubes of the same outside diameter



Part No	Tube OD	L Length	H Hex A/F	P Abutment
WADE-MT104	4	20mm	10mm	8mm
WADE-MT106	6	23mm	12mm	9.5mm
WADE-MT108	8	25.5mm	14mm	10.5mm
WADE-MT110	10	28.5mm	19mm	13.5mm
WADE-MT112	12	31mm	22mm	15.5mm
WADE-MT115	15	40.5mm	24mm	20mm
WADE-MT116	16	40mm	27mm	20mm
WADE-MT122	22	50.5mm	36mm	28mm