

AIR PREPARATION



Installation & Application Data

- 1 Before installing check components have not been damaged during transportation.
- 2 Check flow direction and thread type are correct.
- 3 Please note whether the installation conditions meet the technical requirements (such as working pressure & applied temperature range).
- 4 Use compressed air only.
- 5 Clean or change filter element regularly.
- 6 When the unit is dismantled use port plugs to stop dirt ingress into the unit.

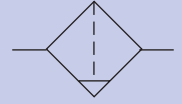
AIR PREPARATION FILTER

Specification



Model	KFS200-06	KFS200-08	KFS300-08	KFS300-10	KFS300-15	KFS400-10	KFS400-15	KFS600-20	KFS600-25
Fluid	Air								
Port	1/8"	1/4"	1/4"	3/8"	1/2"	3/8"	1/2"	3/4"	1"
Micron	40µm or 5µm								
Pressure Range	Semi-auto & Automatic Drain : 0.15- 0.9MPa (20- 130psi) Manual Drain : 0.05- 0.9MPa (7- 130psi)								
Proof Pressure	1.5 MPa (215psi)								
Temperature Range	-5 to +60°C								
Capacity of Drain Bowl	10CC		40CC			80CC		230CC	
Weight	135g		360g			680g		1440g	

Symbol



Ordering Code

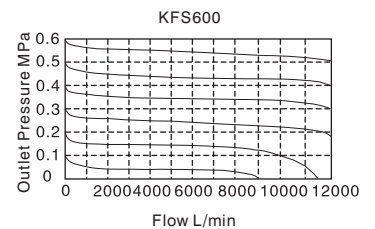
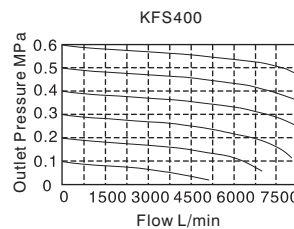
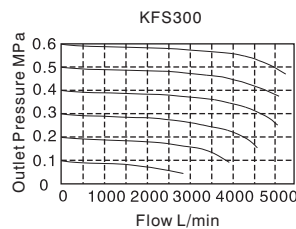
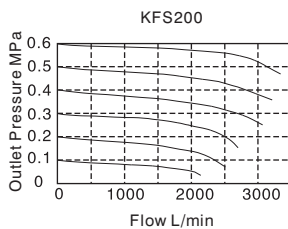
KFS200		08			
Model	Port size	Accessories	Filtering grade	Thread	
KFS200 : 200 Filter	06 : 1/8"	Blank : Bracket J : No bracket	Blank : 40µm W : 5µm	P : PT T : NPT Blank : BSPP	
KFS300 : 300 Filter	08 : 1/4"	Drain type Blank : Semi-auto Drain M : Manual Drain A : Automatic Drain ①			
	10 : 3/8"				
KFS400 : 400 Filter	15 : 1/2"				
	10 : 3/8"				
KFS600 : 600 Filter	15 : 1/2"				
	20 : 3/4"				
	25 : 1"				

① The function of automatic drain is not available for KFS200

Product Features

- 1 Unique diversion structure makes air flowing through rotate, which more effectively separates liquid from gas and filters the solids out.
- 2 Filter has low pressure loss, high water separating efficiency and large drain bowl capacity.
- 3 40 micron or 5 micron elements available.
- 4 Manual, semi-auto and automatic drains available.
- 5 Mounting bracket also available.

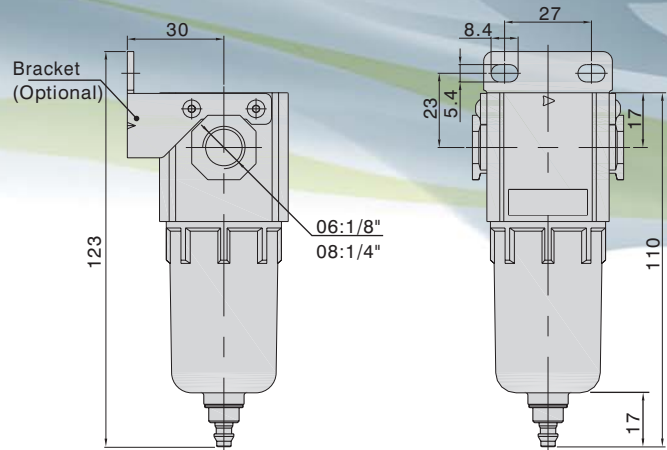
Flow Charts (Inlet Pressure 0.7MPa)



AIR PREPARATION FILTER

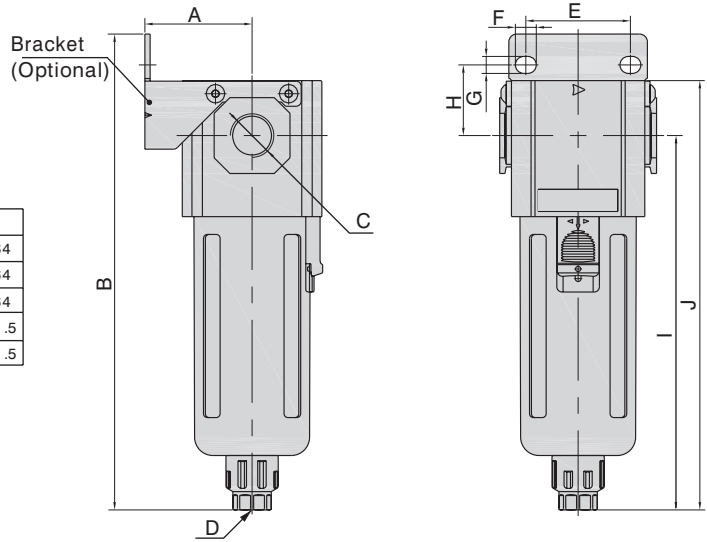
Dimensions

KFS200

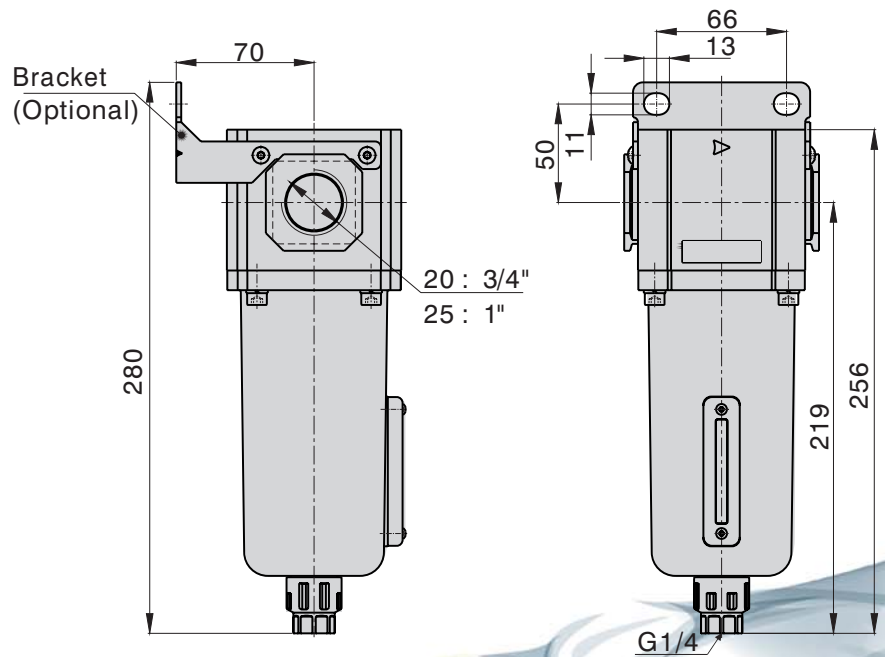


KFS300 & 400

Model/Item	A	B	C	D	E	F	G	H	I	J
KFS300-08	41	182	1/4"	G1/8	40	8	6.5	27	143	164
KFS300-10	41	182	3/8"	G1/8	40	8	6.5	27	143	164
KFS300-15	41	182	1/2"	G1/8	40	8	6.5	27	143	164
KFS400-10	50	208	3/8"	G1/4	55	11	8.6	33.5	166.5	191.5
KFS400-15	50	208	1/2"	G1/4	55	11	8.6	33.5	166.5	191.5



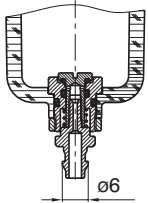
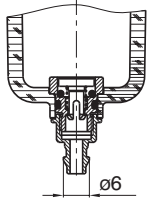
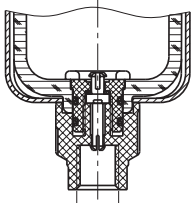
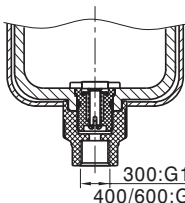
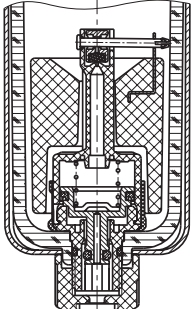
KFS600



AIR PREPARATION FILTER

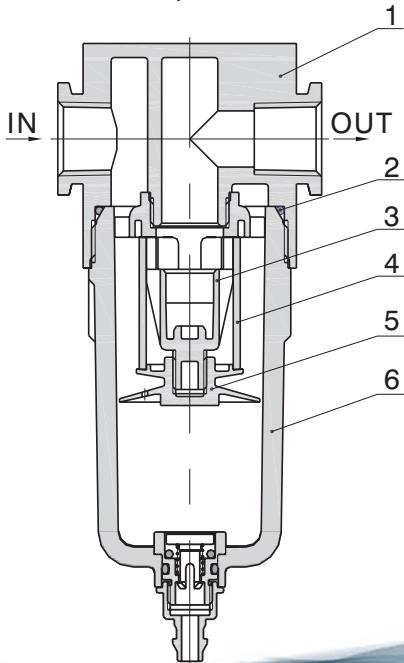
Dimensions

Drain Options

200		300 / 400 / 600		
Manual Drain	Semi-auto Drain	Manual Drain	Semi-auto Drain	Automatic Drain
				
PU tube with an inner diameter of $\phi 5$ or $\phi 5.5$ mm is recommended		300:G1/8 400/600:G1/4	300:G1/8 400/600:G1/4	300:G1/8 400/600:G1/4

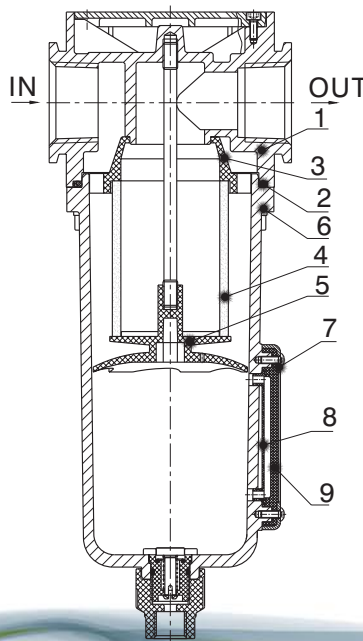
Inner Structure

KFS200, 300 & 400



Semi-Auto Drain

KFS600



Semi-Auto Drain

No.	Item	Material
1	Body	Aluminum Alloy
2	O-ring	NBR
3	Air Gider	POM High Viscosity
4	Filter Core	Bronze (40 μ m) Brass (KF S600) Makrolon Fiber (5 μ m)
5	Umbrella Baffle	POM High Viscosity
6	Drain Bowl	Aluminum Alloy (600) PC (200/300/400)
7	Liquid Meter Cover	SPCC
8	Liquid Meter Seal	VITON
9	Liquid Meter inside Cover	PC