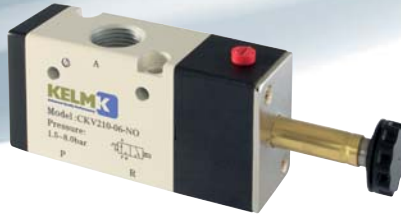


SOLENOID VALVES 3/2, 5/2, 5/3 WAY

Solenoid 3/2 Way,
Solenoid Spring



Solenoid 3/2 Way,
Solenoid Solenoid



Solenoid 5/2 Way,
Solenoid Spring



Solenoid 5/2 Way,
Solenoid Solenoid



Solenoid 5/3 Way,
Solenoid Spring
Solenoid



Namur Solenoid
5/2 Way, Solenoid
Spring



Namur Solenoid
5/2 Way, Solenoid
Solenoid



Installation & Application Data

Before installing, be sure the valve hasn't been damaged in transit.

Use clean lubricated air filtered to 40µm.

Be aware of the flow direction and port size.

Please note whether the installation conditions meet the technical requirements (such as voltage, actuation frequency, working pressure & temperature) before installing the valve.

Notice the flow direction of air during installation, P is the air input, A (B) is the outlet port & R (S) is the exhaust port.

Avoid freezing temperature and vibration.

Before use ensure fittings and tubes are clean.

Use PTFE tape correctly when connecting fittings.

To stop the ingress of dust use silencers in the exhaust ports.

After installation use the manual override to test the valve first.

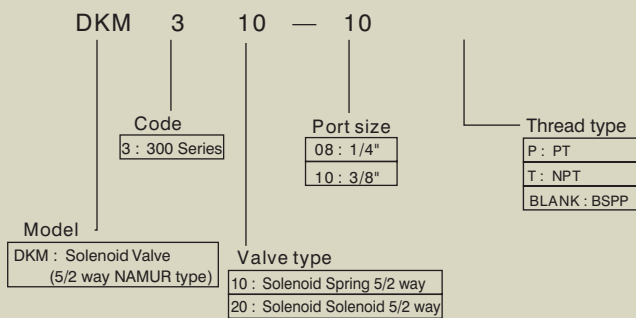
SOLENOID VALVE (5/2 WAY) NAMUR DKM NAMUR SERIES

Specification

Model	DKM310-08 DKM320-08	DKM310-10 DKM320-10
Fluid	Air (to be filtered by 40µm filter element)	
Acting	Internal Piloted	
Port	1/4"	Inlet 3/8" Exhaust 1/4"
Orifice	25.0mm ² (Cv=1.40)	30.0mm ² (Cv=1.68)
Valve Type	5/2	
Operating Pressure	0.15 – 0.8MPa (21 – 114psi)	
Proof Pressure	1.5MPa (215psi)	
Temperature	-20 to +70°C	
Material of Body	Aluminum Alloy	
Lubrication	Not required	
Max. frequency	4 cycle / sec	
Weight	DKM310 310g	DKM320 400g



Ordering Code



Symbol

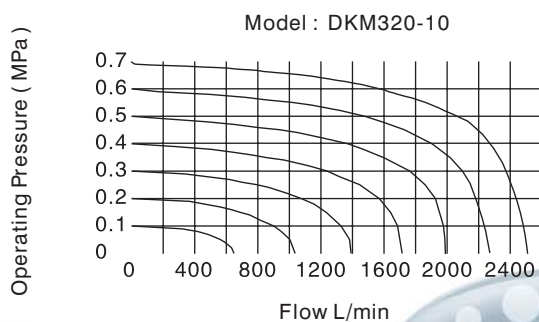
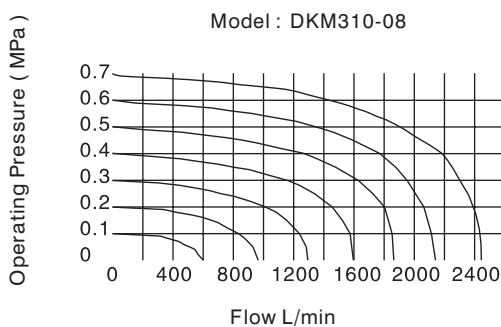
Solenoid Spring



Solenoid/Solenoid



Flow Chart



Product Features

Internal pilot.

Sliding spool has tight tolerances.

Double control solenoid valves have memory function.

Internal orifice adopts special processing technology giving low friction and long service life.

Lubrication is not necessary but once oil is introduced to the valve it must be continue.

Valves can be mounted directly onto Namur actuators.

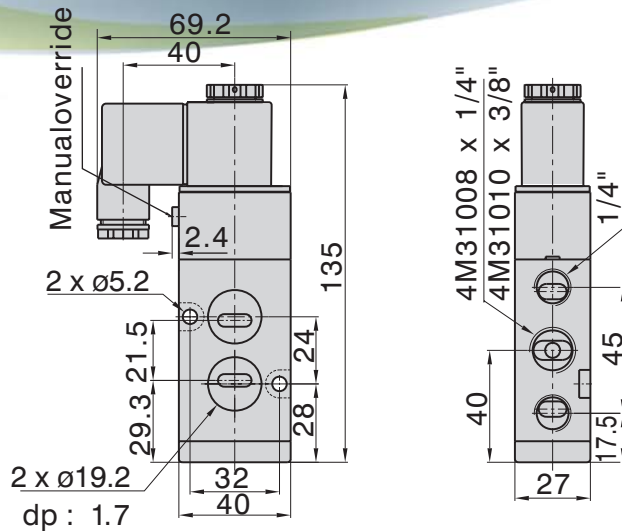
Valves have manual override.

Several standard voltages are available.

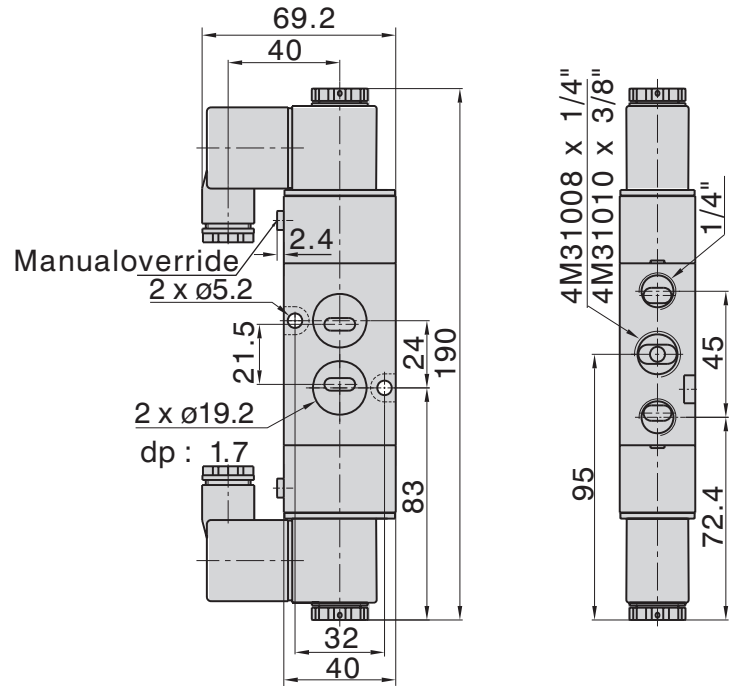
SOLENOID VALVE (5/2 WAY) NAMUR DKM NAMUR SERIES

Dimensions

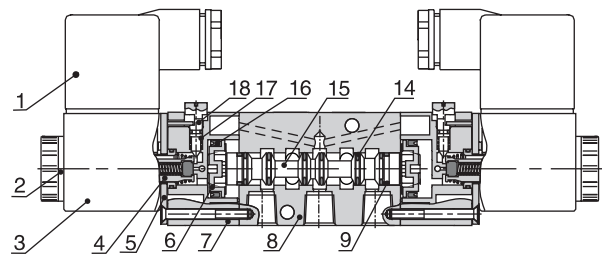
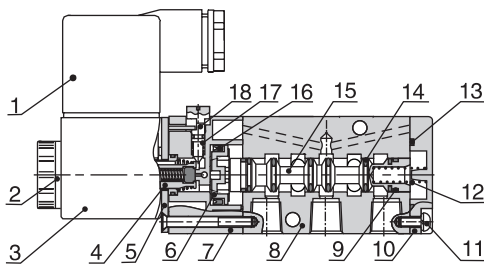
DKM310



DKM320



Inner Structure



No.	Item	No.	Item
1	Connector	10	End Cover
2	Coil Nut	11	Fixed Screw
3	Coil	12	Spool Spring
4	Armature	13	End Cover Gasket
5	Fixed Plate	14	Spool O-ring
6	Piston	15	Spool
7	Pilot Kit	16	Piston O-ring
8	Body	17	Override Spring
9	Wearing Ring	18	Manual Override