

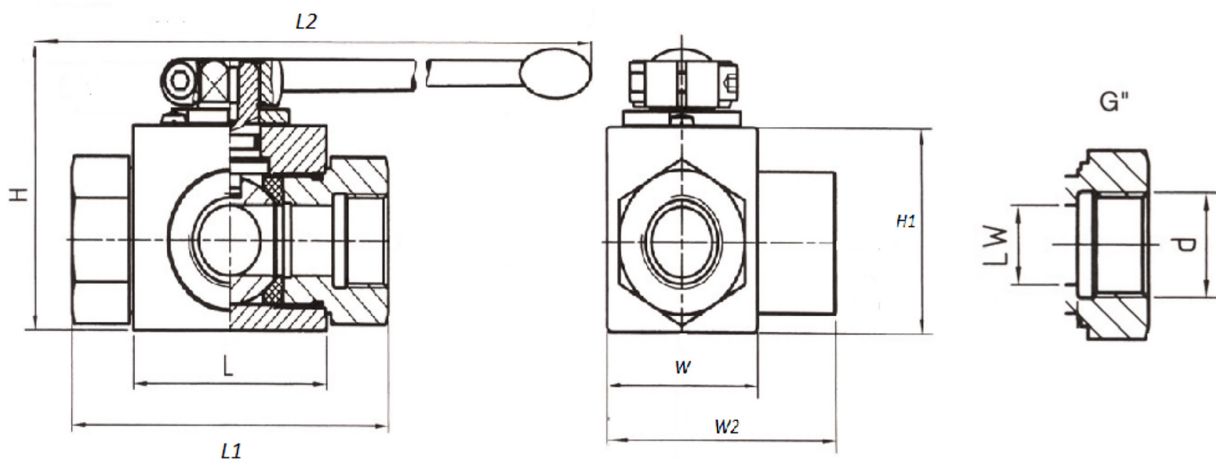


High Pressure Ball Valves

KHB3-Series Steel Ball Valves (PN 500 bar)

Specification:

Body:	Carbon Steel		
Ball:	Steel		
Handel:	Zinc Alloy		
O-rings:	NBR		
Ball Seal:	Delrin (POM)		
Surface Treatment:	Cr3		
Temperature Range:	Body	-20°C to 120°C	
	NBR Seal	-20° to 120°C	



Part Code	DN (mm)	PN	L (mm)	L1 (mm)	L2 (mm)	H (mm)	H1 (mm)	W (mm)	W1 (mm)	d
KHB3K-G1/4	6	500 bar	40	69	152	78	33	29	47.5	1/4"
KHB3K-G3/8	10	500 bar	42	71	154	84	38	35	52	3/8"
KHB3K-G1/2	13	500 bar	48	82	159	86	40	38	59	1/2"
KHB3K-3/4	20	315 bar	62	96	219	119	57	52	72	3/4"
KHB3K-1	25	315 bar	66	113	228	128	65	61	85	1"
KHB3K-1.1/4	25	315 bar	66	120	231	128	65	61	85	1.1/4"
KHB3K-1.1/2	25	315 bar	66	130	236	128	65	61	118	1.1/2"

Part Code	DN (mm)	PN	L (mm)	L1 (mm)	L2 (mm)	H (mm)	H1 (mm)	W (mm)	W1 (mm)	d
KHB3T-G1/4	6	500 bar	40	69	152	78	33	29	47.5	1/4"
KHB3T-G3/8	10	500 bar	42	71	154	84	38	35	52	3/8"
KHB3T-G1/2	13	500 bar	48	82	159	86	40	38	59	1/2"
KHB3T-3/4	20	315 bar	62	96	219	119	57	52	72	3/4"
KHB3T-1	25	315 bar	66	113	228	128	65	61	85	1"
KHB3T-1.1/4	25	315 bar	66	120	231	128	65	61	85	1.1/4"
KHB3T-1.1/2	25	315 bar	66	130	236	128	65	61	118	1.1/2"