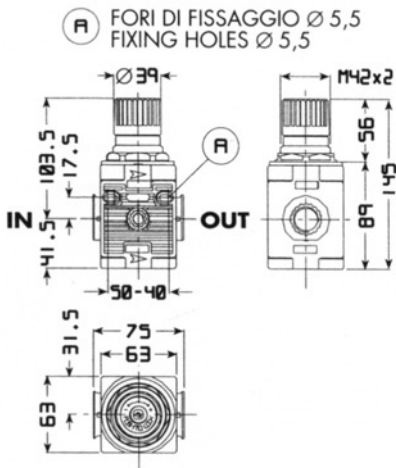
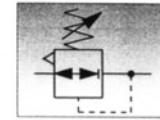


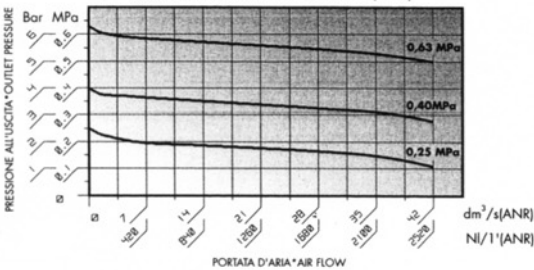
Breathing Air Filter Assemblies & Analysers



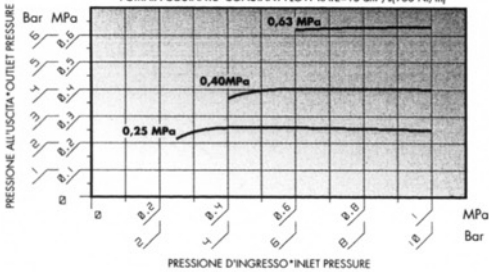
Supply Filter Assembly



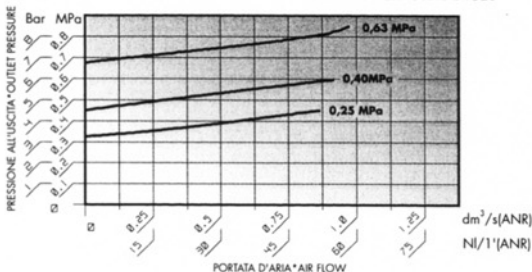
CURVE DI PORTATA*FLOW CHARTS
PRESSIONE D'INGRESSO*INLET PRESSURE = 1 MPa(10 Bar)



CARATTERISTICHE DI REGOLAZIONE*REGULATION FEATURES
PORTATA COSTANTE*CONSTANT FLOW RATE=15 dm³/s(900 NI/m)



CARATTERISTICHE DEL RELIEVING*RELIEVING PERFORMANCES



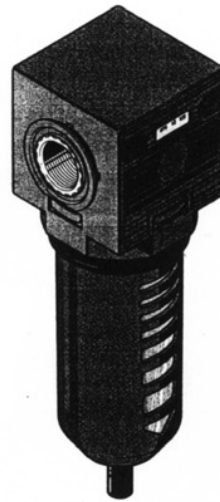
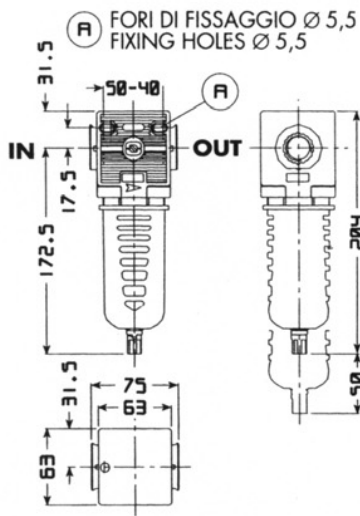
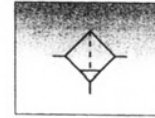
Filter Banks consist of:

- 1 x 20 micron Filter
- 1 x 5 micron Filter Regulator
- 1 x 0.1 micron Coalescing Filter
- 1 x Gauge
- 1 x On/Off Valve

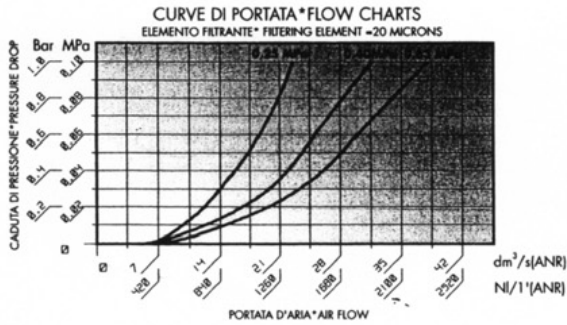
REGULATOR

- * Rolling diaphragm.
- * The set pressure is kept stable regardless of upstream variations.
- * High flow rates with low load losses.
- * Downstream overpressures quickly eliminated.
- * Lockable safety knob.
- * Can be wall mounted by using the relative holes or on bracket.
- * Pressure ranges: 0-4 Bar, 0-8 Bar (standard), 0-12,5 Bar.
- * Maximum inlet pressure 16 Bar = 230 Psi = 1,60 MPa.
- * Temperature range 5-50°C (41-122°F).
- * Weight 0,435 Kg.

Filter

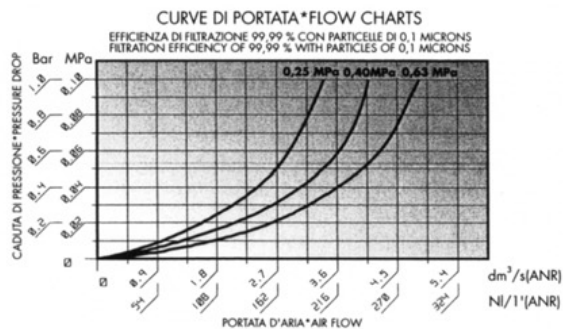
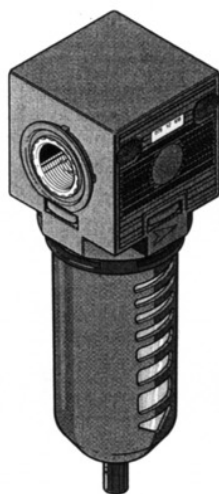
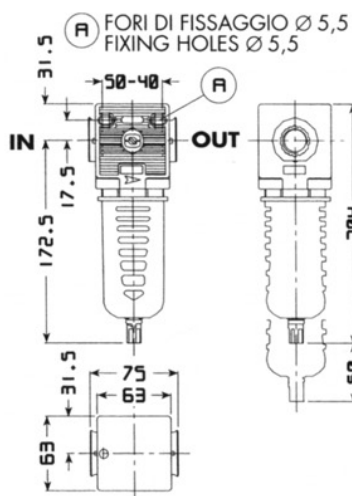
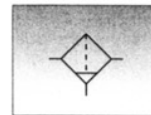


FILTER



- * High condensate separation level.
- * Low pressure drop.
- * Can be wall mounted using the relative holes.
- * Quick bowl connection by means of safety ring mechanism.
- * Filtering degree: 5 micron and 20 micron (standard).
- * Manual and semiautomatic condensate drainage in the integrated or float type automatic version.
- * Bowl available in two configurations: in toughened polyamide with outer bowl guard or with metal reinforcement.
- * Collected quantity of condensate 100 cc.
- * Maximum operating pressure 12,5 Bar = 180 Psi = 1,25 MPa.
- * Temperature range 5-50°C (41-122°F).
- * Weight 0,355 Kg.

Microfilter

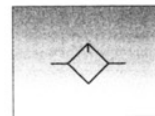
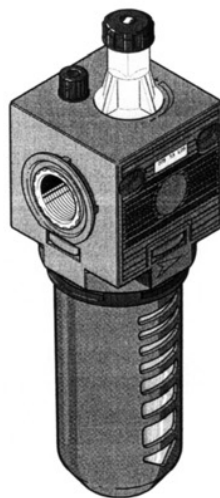
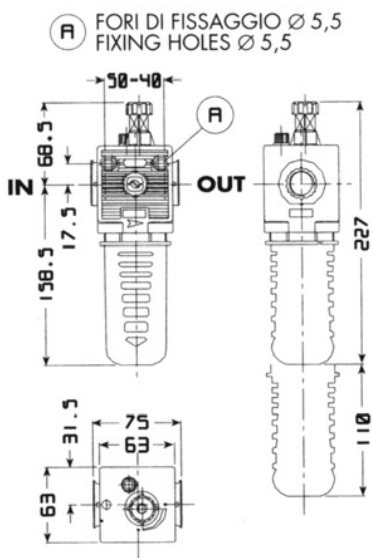


COALESCENT OIL-PROOF MICROFILTER

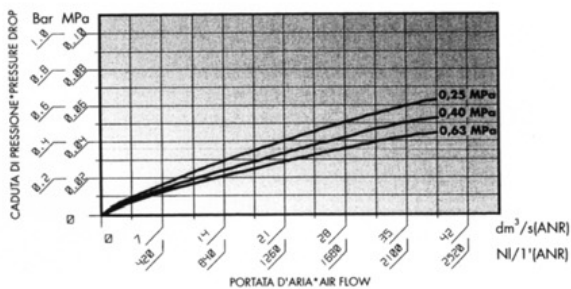
Essential in circuits where oil is not permitted.

- * 99.99% filtering efficiency with 0.1 micron particles.
- * Long-lasting filtering element.
- * Can be wall mounted using the relative holes.
- * Manual and semiautomatic condensate drainage in the integrated or float type automatic version.
- * Bowl in toughened polyamide with outer bowl guard.
- * It is advisable to install a filter on the inlet.
- * Maximum operating pressure 12,5 Bar = 180 Psi = 1,25 MPa.
- * Temperature range 5-50°C (41-122°F).
- * Weight 0,355 Kg.

Lubricator



CURVE DI PORTATA*FLOW CHARTS



MINIMUM OPERATING FLOW

INLET PRESSURE		MINIMUM AIR FLOW (ANR)	
MPa	Bar	dm ³ /s	NI/1'
0,25	2,50	0,25	15
0,40	4,00	0,30	18
0,63	6,30	0,38	23

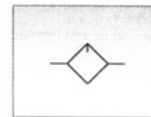
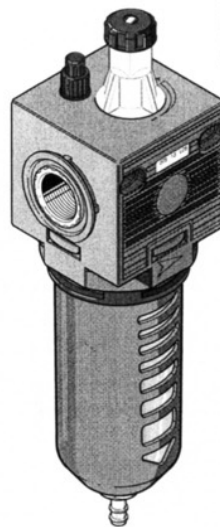
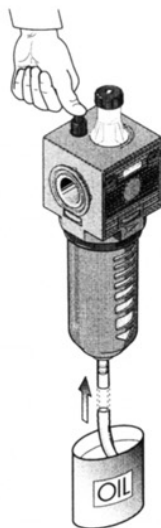
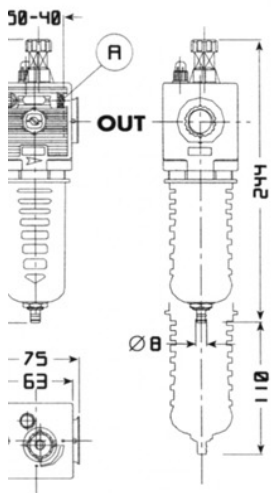
LUBRICATOR

The proportional oil mist type.

- * Constantly steady delivery.
- * Suction ensured even with low flow rates.
- * Sensitive lubricant flow regulation.
- * 360° drip display.
- * Oil fill plug.
- * Quick bowl connection by means of safety ring mechanism.
- * Can be wall mounted using the relative holes.
- * Bowl available in two configurations: in toughened polyamide with outer bowl guard or with metal reinforcement.
- * Bowl capacity 140 cc.
- * Recommended oil viscosity ISO VG32.
- * Maximum operating pressure: 12,5 Bar = 180 Psi = 1,25 MPa.
- * Temperature range 5-50°C (41-122°F).
- * Weight 0,355 Kg.

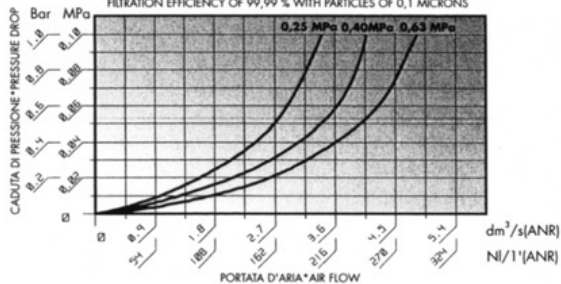
Lubricator VL

ORI DI FISSAGGIO Ø 5,5
FIXING HOLES Ø 5,5



CURVE DI PORTATA *FLOW CHARTS

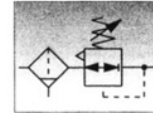
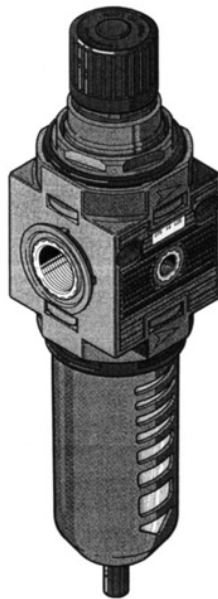
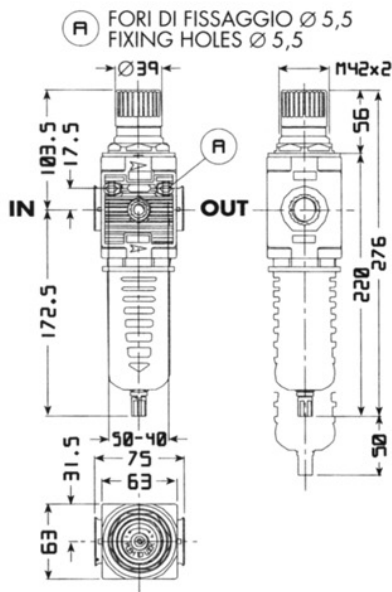
EFFICIENZA DI FILTRAZIONE 99,99% CON PARTICELLE DI 0,1 MICRONS
FILTRATION EFFICIENCY OF 99,99% WITH PARTICLES OF 0,1 MICRONS



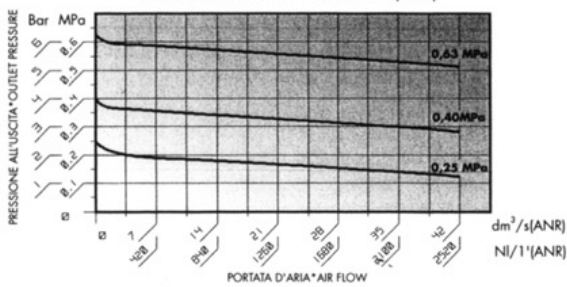
AUTOMATIC FILLING LUBRICATOR

- *Essential when the oil must be quickly and safely loaded without interrupting the normal operation of the system.
- *Filling is achieved by keeping the button at the base of the lubricator casing depressed. This provokes a vacuum inside the cup enabling the oil to be intaken.
- *The flow will only interrupt when the button is released.
- *The oil level must be visually inspected.
- *Minimum activation pressure: 3 Bar=40 Psi=0,3 MPa.
- *Other functional features as standard model.
- *Weight: 0,395 Kg.

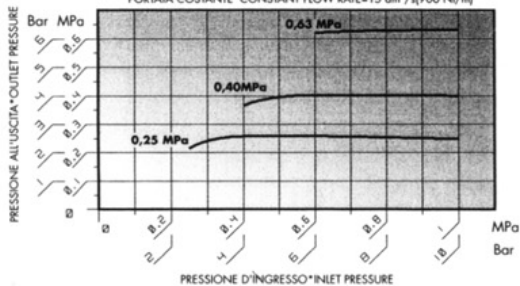
Filter Regulator



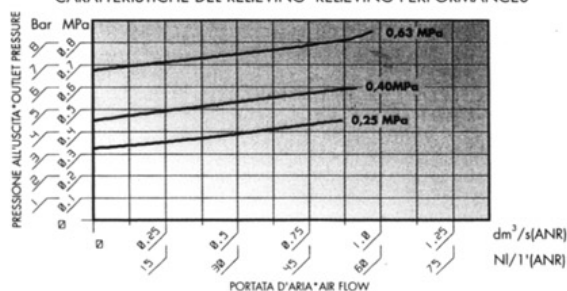
CURVE DI PORTATA*FLOW CHARTS
PRESSIONE D'INGRESSO*INLET PRESSURE = 1 MPa(10 Bar)



CARATTERISTICHE DI REGOLAZIONE*REGULATION FEATURES
PORTATA COSTANTE*CONSTANT FLOW RATE=15 dm³/s(900 NI/m)



CARATTERISTICHE DEL RELIEVING*RELIEVING PERFORMANCES

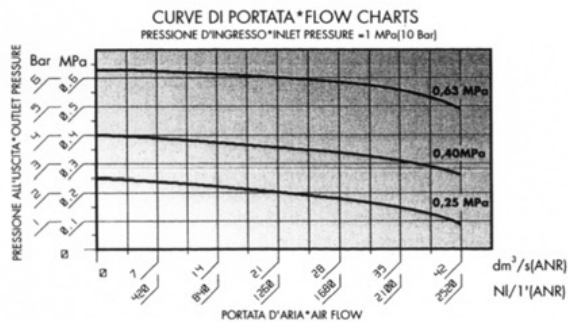
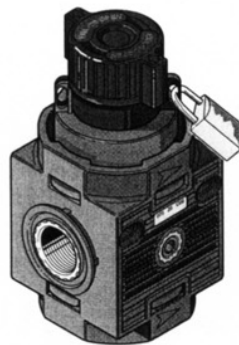
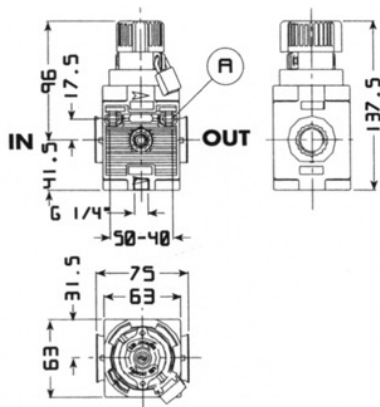
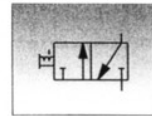


FILTER REGULATOR

- * Rolling diaphragm.
- * The set pressure is kept stable regardless of upstream variations.
- * High flow rate with low load losses.
- * Downstream overpressures quickly eliminated.
- * Lockable safety knob.
- * High condensate separation level.
- * Quick bowl connection by means of safety ring mechanism.
- * Can be wall mounted using the relative holes or on bracket.
- * Pressure ranges: 0-4 Bar, 0-8 Bar (standard), 0-12,5 Bar.
- * Filtering degree: 5 micron and 20 micron (standard).
- * Manual and semiautomatic condensate drainage in the integrated or float type automatic version.
- * Bowl available in two configurations: in toughened polyamide, with outer bowl guard or with metal reinforcement.
- * Collected quantity of condensate 100 cc.
- * Maximum operating pressure 12,5 Bar = 180 Psi = 1,25 MPa.
- * Temperature range 5-50°C (41-122°F).
- * Weight 0,565 Kg

3 Way On-Off Valve

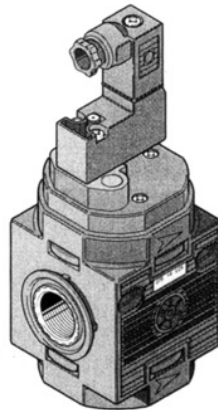
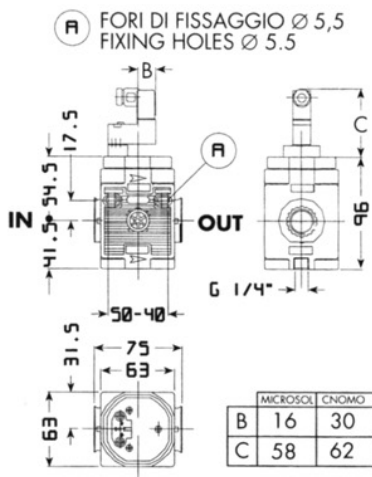
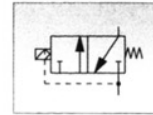
(A) FORI DI FISSAGGIO Ø 5,5
FIXING HOLES Ø 5,5



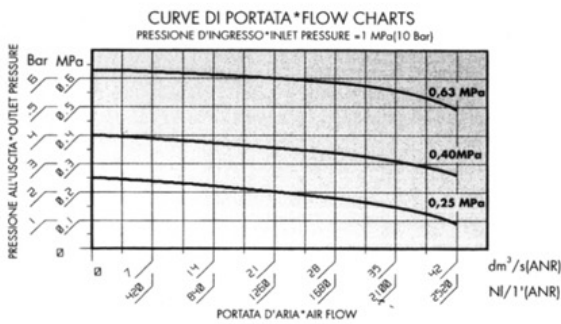
3 WAY ON-OFF VALVE WITH LOCK

- *Used to shut off the air supply while relieving the downstream circuit.
- *The block device is particularly useful during maintenance operations. It prevents the system from being accidentally or wrongly pressurized.
- *It can be wall mounted using the relative holes.
- *Discharge connection: 1/4" BSP.
- *Maximum inlet pressure: 12,5 Bar=180 Psi=1,25 MPa.
- *Temperature range: 5÷50°C (41÷122°F).
- *The device is equipped with 1 lock.
- *Weight: 0,390 Kg.

Safety Valve



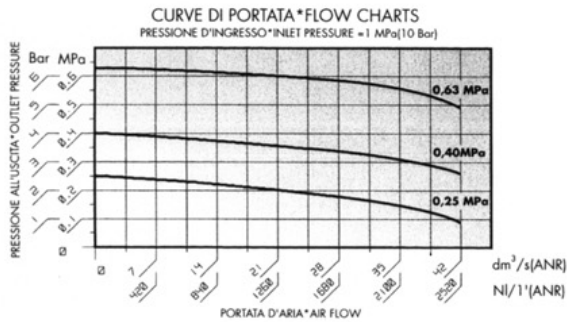
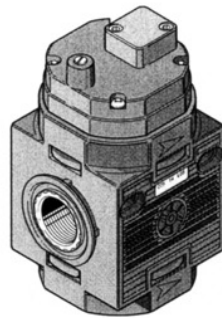
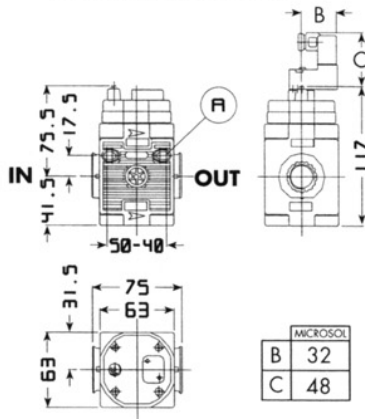
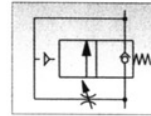
SAFETY VALVE



- *Device used to shut off the air supply while relieving the downstream circuit by a remote electric control.
- *Available with MICROSOL type or in compliance with CNOMO standards remote electric control (to be ordered separately).
- *It can be wall mounted using the relative holes.
- *Discharge connection: 1/4" BSP.
- *Minimum pressure admitted: 3 Bar=40 Psi=1 MPa.
- *Maximum working pressure: 10 Bar=145 Psi=1 MPa.
- *Temperature range: 5÷50°C (41÷122°F).
- *Weight: 0,400 Kg.

Slow Start Valve

Ⓐ FORI DI FISSAGGIO Ø 5,5
FIXING HOLES Ø 5.5



SLOW START VALVE

Gradually pressurizes the system until reaching the set operating pressure value.

*Before delivering the maximum available pressure, the air is allowed to slowly flow around the downstream circuit until about 60% of the pressure is reached upstream.

*Use the built-in flow governor to establish the pressurizing time.

*Available in automatic type or controlled by microsol solenoid valve.

*It can be wall mounted using the relative holes.

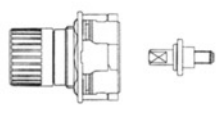
*Minimum pressure admitted: 3 Bar=40 Psi=0,3 MPa.

*Maximum working pressure: 10 Bar=145 Psi=1 MPa.

*Temperature range: 5+50°C (41+ 122°F).

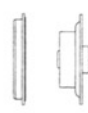
Spare Parts Line 075

REGULATION GROUP




CODE	PRODUCT
C75.01.00005	R - FR

DIAPHRAGM COMPLETE




CODE	PROD.	VERSION
C75.01.00023	R - FR	RELIEVING

REGULATION SPRING



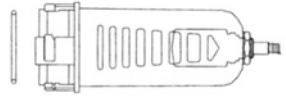
CODE	PROD.	SET.REGULATION
A75.01.00030	R - FR	0-4 Bar
A75.01.00031	R - FR	0-8 Bar
A75.01.00032	R - FR	0-12 Bar

BOWL FOR FILTER



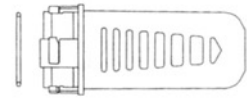
CODE	PROD.	VERSION
C75.02.00004	F-FR	RM SS
C75.02.00022	F-FR-MF	*PE SS

BOWL WITH AUTOMATIC DRAIN



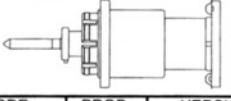
CODE	PROD.	VERSION
C75.02.00009	F-FR	RM SA
C75.02.00026	F-FR-MF	PE SA

BOWL FOR LUBRIFICATOR



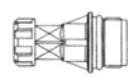
CODE	PROD.	VERSION
C75.03.00002	L	RM
C75.03.00022	L	PE
C75.13.01001	VL	PE

FILTERING ELEMENT




CODE	PROD.	VERSION
C75.02.00059	F	20 MICRON
C75.02.00064	FR	20 MICRON
C75.02.00063	F	5 MICRON
C75.02.00065	FR	5 MICRON
C75.02.00061	MF	0,1 MICRON

OIL WINDOW




CODE	PRODUCT
C75.03.00018	L

OIL PLUG WITH OR 2031



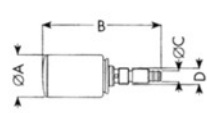
CODE	PRODUCT
C75.03.00011	L

SUCTION PIPE



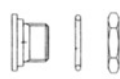
CODE	PRODUCT
C75.03.00003	L
C75.13.01007	VL

AUTOMATIC DRAIN



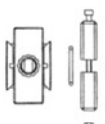
CODE	PRODUCT
C40.02.00130	F - MF - FR

MOUNTING KIT FOR AUTOMATIC DRAIN




CODE	PRODUCT
C40.02.00131	F - MF - FR

AIR TAKEOFF




CODE	CONN.	PRODUCT
C75.06.00002	1/4"	F+R+L - FR+L - F+L

KIT ASSEMBLING UNITS



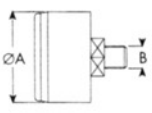
CODE	PRODUCT
C75.05.00001	F+R+L
C75.06.00001	FR+L-F+L

ADAPTER



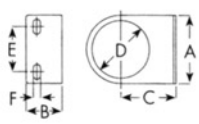
CODE	VERSION
A75.02.00011	1/2" - 3/8"

GAUGE



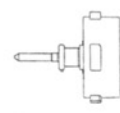
CODE	Bar	Psi	A	B	CH
A75.01.00010	0-12	0-175	50	1/8"	14
A75.01.00011	0-6	0-85	50	1/8"	14

BRACKET



CODE	A	B	C	D	E	F
C75.01.00018	55	27	40	42	33	5.5

PLUG WITH VALVE



CODE	PRODUCT
C75.01.00022	R