

Malleable Iron Fittings



ODLEWNIĄ ŻELIWA
ZAWIERCIE

Threads: Threads are in accordance to ISO7-1. All male threads are BSPT and female threads are BSPP.

Materials: Whiteheart malleable EN-GJMW-400-5 cast iron, grade W40-05 according to ISO5922/DIN-1692, and tested in accordance to EN 10242

Media: Suitable for the flow of water, steam, gas or other non aggressive media.

Surface Finishing:

Two types are available:

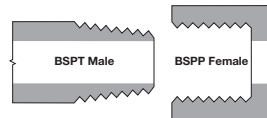
Black: With an anti-corrosive varnish to protect against rust and after installation prior to plant conditioning.

Galvanised: According to EN 10242, zinc coating weight relative to surface exceeds 500 g/m² (average layer thickness 70 micron).



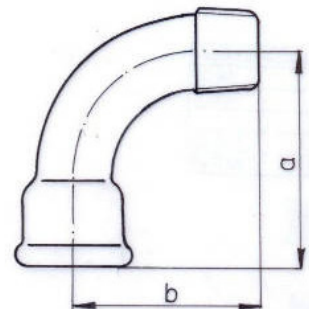
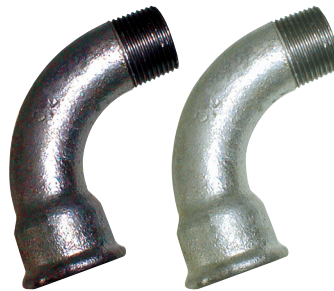
Maximum Working Pressure:

25 bar @ -20°C to +120°C
20 bar @ +300°C




Male x Female Equal Bend 90° (1)


Black, BSPP Female x BSPT Male		Galvanised, BSPP Female x BSPT Male	
1095		1095	
EE-MI1-14N	1/4"	EE-MI1-14	1/4"
EE-MI1-38N	3/8"	EE-MI1-38	3/8"
EE-MI1-12N	1/2"	EE-MI1-12	1/2"
EE-MI1-34N	3/4"	EE-MI1-34	3/4"
EE-MI1-1N	1"	EE-MI1-1	1"
EE-MI1-114N	1.1/4"	EE-MI1-114	1.1/4"
EE-MI1-112N	1.1/2"	EE-MI1-112	1.1/2"
EE-MI1-2N	2"	EE-MI1-2	2"
EE-MI1-212N	2.1/2"	EE-MI1-212	2.1/2"
EE-MI1-3N	3"	EE-MI1-3	3"
		EE-MI1-4	4"

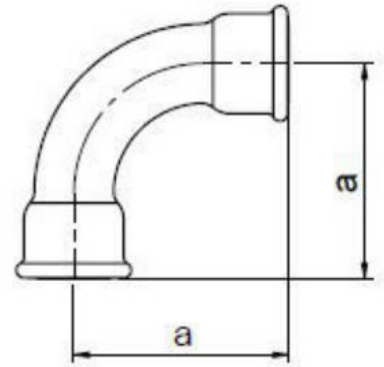


Dimension [inch]	Weight of carton [kg]		Quantity in carton [pc.]	Dimension [mm]	
	black	galv		a	b
1/4	11,3	12,5	250	40	36
3/8	12,2	12,8	150	48	42
1/2	10,6	11,2	100	55	48
3/4	12,6	13,1	60	69	60
1	22,9	23,7	60	85	75
1 1/4	21,8	22,8	35	105	95
1 1/2	20,5	21,3	25	116	105
2	19,9	20,9	15	140	130
2 1/2	9,3	9,6	4	176	165
3	10,1	10,4	3	205	190
4	5,9	6,1	1	260	245

Female Equal Bend 90° (2)


Black, BSPP	
1095	
EE-MI2-14N	1/4"
EE-MI2-38N	3/8"
EE-MI2-12N	1/2"
EE-MI2-34N	3/4"
EE-MI2-1N	1"
EE-MI2-114N	1.1/4"
EE-MI2-112N	1.1/2"
EE-MI2-2N	2"

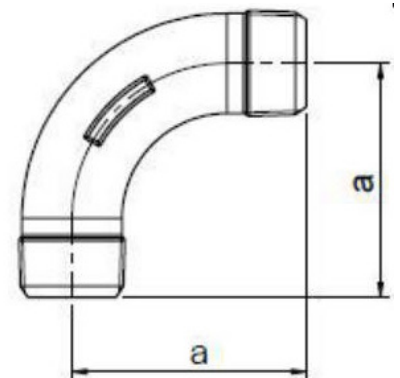
Galvanised, BSPP	
1095	
EE-MI2-14	1/4"
EE-MI2-38	3/8"
EE-MI2-12	1/2"
EE-MI2-34	3/4"
EE-MI2-1	1"
EE-MI2-114	1.1/4"
EE-MI2-112	1.1/2"
EE-MI2-2	2"
EE-MI2-212	2.1/2"
EE-MI2-3	3"
EE-MI2-4	4"



Dimension [inch]	Weight of carton [kg]		Quantity in carton [pc.]	Dimension a [mm]
	black	galv		
1/4	12,2	12,8	200	40
3/8	14	14,6	150	48
1/2	11,4	11,6	80	55
3/4	14	14,6	60	69
1	21,7	22	50	85
1 1/4	23,8	24,3	30	105
1 1/2	21,4	22,3	23	116
2	17,2	17,6	12	140
2 1/2	10,4	10,6	4	176
3	11,3	11,6	3	205
4	6,3	6,4	1	260


Male Equal Bend 90° (3)

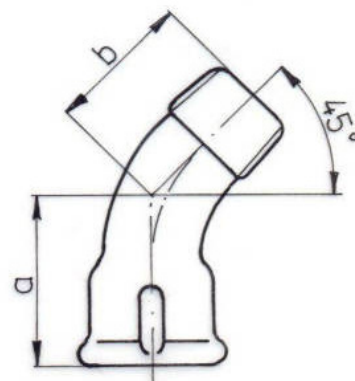
Galvanised, BSPT	
1095	
EE-MI3-12	1/2"
EE-MI3-34	3/4"
EE-MI3-1	1"




Dimension [inch]	Weight of carton [kg]		Quantity in carton [pc.]	Dimension a [mm]
	black	galv		
1/2	10,1	10,8	100	48
3/4	10,4	10,9	60	62
1	19,2	20,1	60	75

Male x Female Equal Bend 45° (40)


Black, BSPP Female x BSPT Male	
1095	
EE-MI40-14N	1/4"
EE-MI40-38N	3/8"
EE-MI40-12N	1/2"
EE-MI40-34N	3/4"
EE-MI40-1N	1"
EE-MI40-114N	1.1/4"
EE-MI40-112N	1.1/2"
EE-MI40-2N	2"

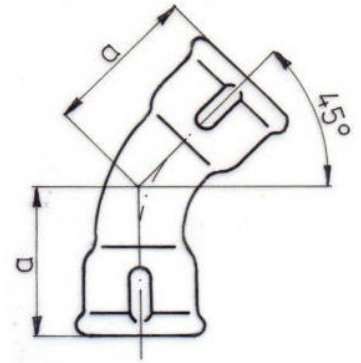


Galvanised, BSPP Female x BSPT Male	
1095	
EE-MI40-14	1/4"
EE-MI40-38	3/8"
EE-MI40-12	1/2"
EE-MI40-34	3/4"
EE-MI40-1	1"
EE-MI40-114	1.1/4"
EE-MI40-112	1.1/2"
EE-MI40-2	2"
EE-MI40-212	2.1/2"
EE-MI40-3	3"
EE-MI40-4	4"

Dimension [inch]	Weight of carton [kg]		Quantity in carton [pc.]	Dimension [mm]	
	black	galv		a	b
1/4	8,2	8,4	200	26	21
3/8	8,7	9	150	30	24
1/2	8,8	9,1	100	36	30
3/4	9,2	9,7	70	43	36
1	22,8	24,2	90	51	42
1 1/4	24,4	25,3	55	64	54
1 1/2	20,4	21,5	40	68	58
2	22,2	22,6	25	81	70
2 1/2	11	11,4	8	99	86
3	13,2	13,6	6	113	100
4	7,2	7,4	2	127	114

Female x Female Equal Bend 45° (41)

Galvanised, BSPP	
1095	
EE-MI41-38	3/8"
EE-MI41-12	1/2"
EE-MI41-34	3/4"
EE-MI41-1	1"
EE-MI41-114	1.1/4"
EE-MI41-112	1.1/2"
EE-MI41-2	2"
EE-MI41-212	2.1/2"
EE-MI41-3	3"



Dimension [inch]	Weight of carton [kg]		Quantity in carton [pc.]	Dimension a [mm]
	black	galv		
3/8	8,9	9,4	120	30
1/2	12	12,5	100	36
3/4	12,5	12,9	60	43
1	19,6	20,6	60	51
1 1/4	22	22,8	40	64
1 1/2	23,2	24	33	68
2	19,8	20,2	20	81
2 1/2	13,6	14,2	8	99
3	14,9	15,5	6	113