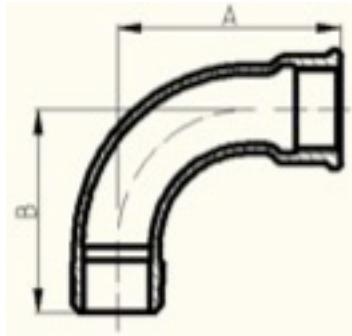


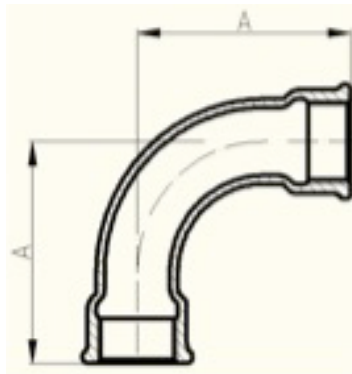
Malleable Iron Fittings

Male x Female Equal Bend 90° (1)



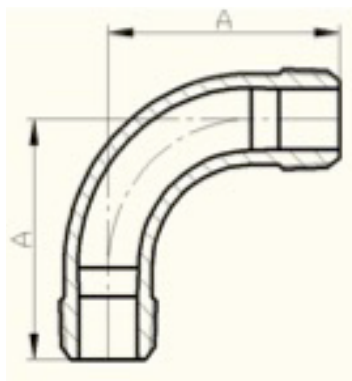
Size		Dimensions (mm)	
Inch	mm	A	B
1/8	6	35	32
1/4	8	40	36
3/8	10	48	42
1/2	15	55	48
3/4	20	69	60
1	25	85	75
1 1/4	32	105	95
1 1/2	40	116	105
2	50	140	130
2 1/2	65	176	165
3	80	205	190
4	100	260	245

Female Equal Bend 90° (2)



Size		Dimensions (mm)
Inch	mm	A
1/8	6	35
1/4	8	40
3/8	10	48
1/2	15	55
3/4	20	69
1	25	85
1 1/4	32	105
1 1/2	40	116
2	50	140
2 1/2	65	176
3	80	205
4	100	260

Male x Male Equal Bend 90° (3)



Size		Dimensions (mm)
Inch	mm	A
1/8	6	32
1/4	8	36
3/8	10	42
1/2	15	48
3/4	20	60
1	25	75
1 1/4	32	95
1 1/2	40	105
2	50	130
2 1/2	65	165
3	80	190
4	100	245