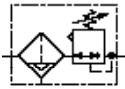


Air line equipment

Olympian Plus plug-in system

B64G, B68G Filter/regulators

G $\frac{1}{4}$ to G1 $\frac{1}{2}$



- High efficiency water removal
- Good regulation characteristics
- Non-rising adjusting knob has snap-action lock
- Standard options include non-relieving models, manual drain and alternative pressure ranges

Technical data

- Medium: Compressed air only
 - Maximum inlet pressure: 17 bar (metal bowl)
 - Gauge ports: G $\frac{1}{8}$
 - Ambient temperature: -20°C to +80°C metal bowls.
- Consult our Technical Service for use below +2°C

Materials

- B64G Series:**
 Body & yoke: zinc alloy
 Bonnet & bowl: aluminium
 Elastomers: synthetic rubber
 Filter element: sintered plastic
- B68G Series:**
 Body, bonnet, bowl & yoke: aluminium
 Adjusting knob: acetal resin
 Elastomers: synthetic rubber
 Filter element: sintered plastic



B64G



B68G

Port size	Flow (dm ³ /s)	Range (bar)	kg	Model Auto	Manual	Service kit Auto	Manual	Element (40 µm)
G1/4	30	0,3 ... 10	1,71	B64G-2GK-AD3-RMN	B64G-2GK-MD3-RMN	4383-200	4383-20a0	4338-02
G3/8	76	0,3 ... 10	1,69	B64G-3GK-AD3-RMN	B64G-3GK-MD3-RMN	4383-200	4383-200	4338-02
G1/2	106	0,3 ... 10	1,66	B64G-4GK-AD3-RMN	B64G-4GK-MD3-RMN	4383-200	4383-200	4338-02
G3/4	106	0,3 ... 10	2,02	B64G-6GK-AD3-RMN	B64G-6GK-MD3-RMN	4383-200	4383-200	4338-02
G3/4	240	0,4 ... 8	3,29	B68G-6GK-AR3-RLN	B68G-6GK-MR3-RLN	4383-300	4383-300	5576-99
G1	240	0,4 ... 8	3,29	B68G-8GK-AR3-RLN	B68G-8GK-MR3-RLN	4383-300	4383-300	5576-99
G1 $\frac{1}{4}$	240	0,4 ... 8	3,35	B68G-AGK-AR3-RLN	B68G-AGK-MR3-RLN	4383-300	4383-300	5576-99
G1 $\frac{1}{2}$	240	0,4 ... 8	3,35	B68G-BGK-AR3-RLN	B68G-BGK-MR3-RLN	4383-300	4383-300	5576-99

Models listed include ISO G threads, knob adjustment, automatic drain, metal bowl, 40 µm element, relieving diaphragm.
 # Typical flow with 10 bar inlet pressure, 6,3 bar set pressure and a 1 bar droop from set.
 For replacement filter/regulator (without yoke) substitute 'N' at the 5th and 6th letters respectively eg: B68G-**NNK**-AR3-RLN.
 For replacement filter/regulator (without yoke) substitute 'N' at the 5th and 6th letters respectively e.g. B64G-**NNK**-AD3-RMN.

Options selector

B 6 4 G - * * * - * * * - * * *

Threads	Substitute	Gauge	Substitute
PTF	A	With	G
ISO Rc taper	B	Without	N
ISO G parallel	G		
Adjustment	Substitute	Outlet pressure adjustment range*	Substitute
Knob	K	0,3 ... 4 bar	F
T-bar	T	0,3 ... 10 bar	M
		0,7 ... 17 bar	S**
Drain	Substitute	Diaphragm	Substitute
Manual	M	Relieving	R
Automatic	A	Non relieving	N
Bowl	Substitute	Element	Substitute
Metal with liquid level indicator	D	5 µm	1
Guarded transparent	P	25 µm	2
		40 µm	3

* Can be adjusted to pressures in excess of, and less than, those specified. Do not use these units to control pressures outside of the specified ranges.

B 6 8 G - * * * - * * * - * * *

Threads	Substitute	Gauge	Substitute
PTF	A	With	G
ISO Rc taper	B	Without	N
ISO G parallel	G		
Adjustment	Substitute	Outlet pressure adjustment range	Substitute
Knob	K	0,3 ... 4 bar	F
T-bar	T	0,4 ... 8 bar	L
		0,7 ... 17 bar	S**
Drain	Substitute	Diaphragm	Substitute
Manual	M	Relieving	R
Automatic	A	Non relieving	N
Bowl	Substitute	Element	Substitute
1 l without liquid level indicator	C	5 µm	1
0,5 l without liquid level indicator	M	25 µm	2
0,5 l with liquid level indicator	R	40 µm	3
1 l with liquid level indicator	U		

For port size, see Options selector on page 408

**Units with 17 bar adjustment range are available only with the T-bar adjustment; therefore substitute T at the 7th digit and S at the 12th position.

Olympian Plus plug-in system

B64G, B68G Filter/regulators

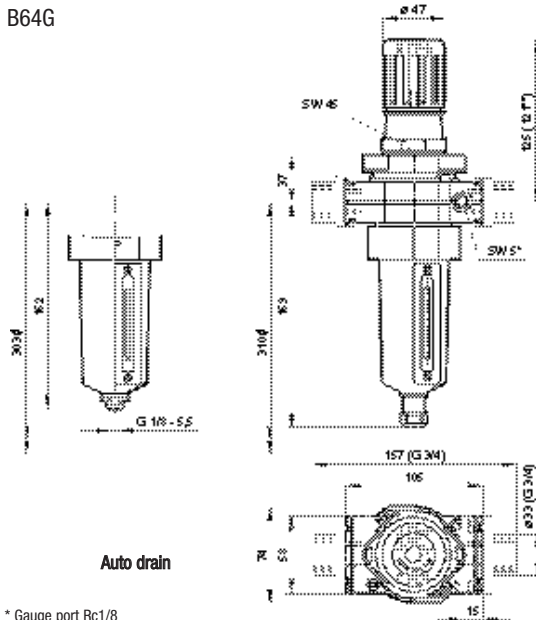
G $\frac{1}{4}$ to G1 $\frac{1}{2}$

Accessories

Series	Port size	Bracket kit	Bracket kit	Gauge 0 ... 10 bar*	3/2 Shut-off valve	Panel nut	Tamper resistant kit
B64G	G $\frac{1}{4}$		74504-50	18-013-013	T64T-2GB-P1N	4348-89	4355-50
	G $\frac{3}{8}$				T64T-3GB-P1N	4348-89	4355-50
	G $\frac{1}{2}$				T64T-4GB-P1N	4348-89	4355-50
	G $\frac{3}{4}$				T64T-6GB-P1N	4348-89	4355-50
B68G	G $\frac{3}{4}$	18-001-979		18-013-013	T68C-6GB-B2N	—	4355-50
	G1	18-001-979			T68C-8GB-B2N	—	4355-50
	G1 $\frac{1}{4}$	18-001-978			T68C-AGB-B2N	—	4355-50
	G1 $\frac{1}{2}$	—			T68C-BGB-B2N	—	4355-50

* Other pressure ranges available – see page 486

B64G



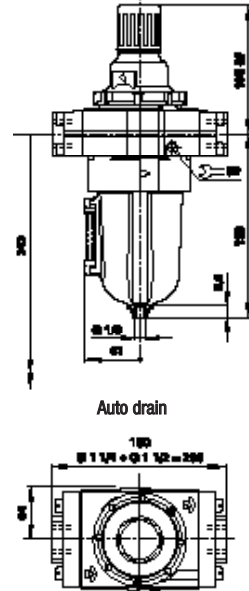
Auto drain

* Gauge port Rc1/8

** Knob in locked position.

Minimum clearance required to remove bowl.

B68G



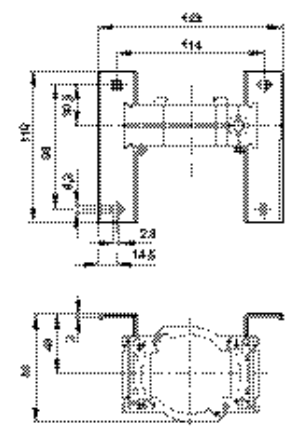
Auto drain

* Manual drain

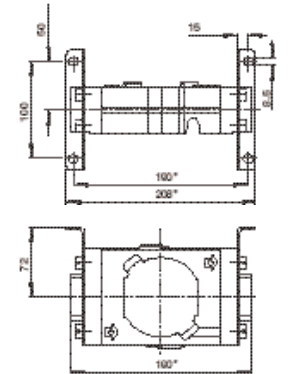
Minimum clearance required to remove bowl

*** For 1 $\frac{1}{4}$ " and 1 $\frac{1}{2}$ " ported yokes add 10 mm.

Bracket mounting (B64G)



Bracket mounting (B68G)



Flow characteristics

