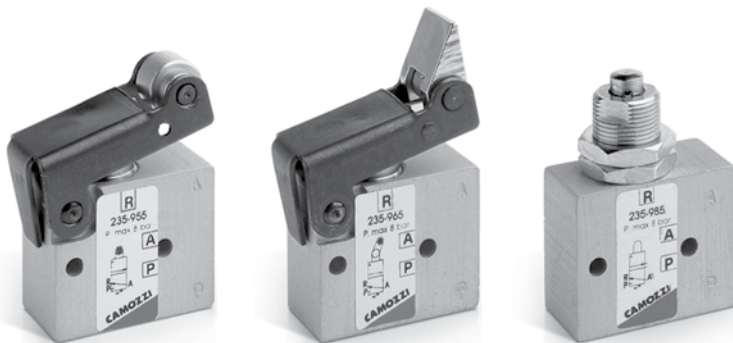


Mechanically operated minivalves Series 2

2

3/2-way

Ports M5, cartridge dia. 4



The mechanically operated Series 2 miniature valves with 3/2 normally closed function are available with M5 threaded ports or with an integrated super-rapid fitting for dia. 4 tubes. The devices are actuated by a plunger, roller/lever or a unidirectional lever.

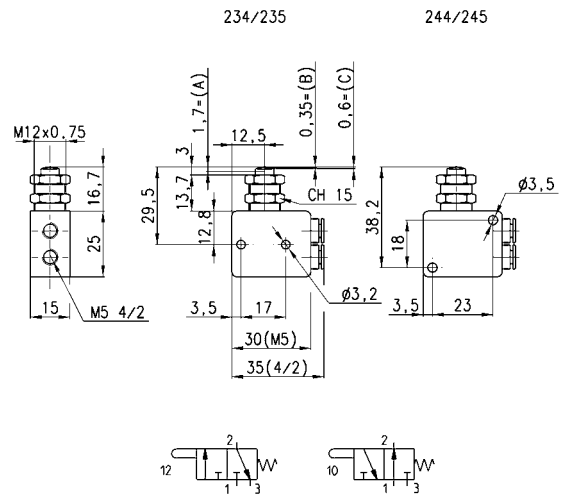
GENERAL DATA

Construction	poppet - type (closed centre)
Valve group	3/2 way/pos., normally closed
Materials	aluminium body, OT58 (brass) plunger, NBR seals
Mounting	by through - holes in valve body
Ports	M5, cartridge dia. 4
Ambient temperature	0°C + 60°C
Medium temperature	0°C + 50°C
Operating pressure	see models
Fluid	Filtered air, without lubrication. If lubricated air is used, it is recommended to use ISO VG32 oil. Once applied the lubrication should never be interrupted.

Minivalves



Operating pressure = 2 ÷ 8 bar
 Flow rate = 60 NI/min.
 Actuating force at 6 bar = 6 N
 A = Complete stroke
 B = Centres closed position
 C = Effective stroke

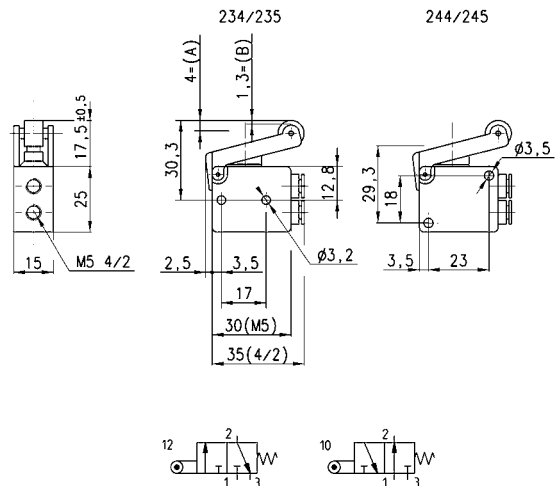


Mod.
234-985
235-985

Minivalves



Operating pressure = 2 ÷ 8 bar
 Flow rate = 60 NI/min.
 Actuating force at 6 bar = 4 N
 A = Complete stroke
 B = Centres closed position
 C = Effective stroke

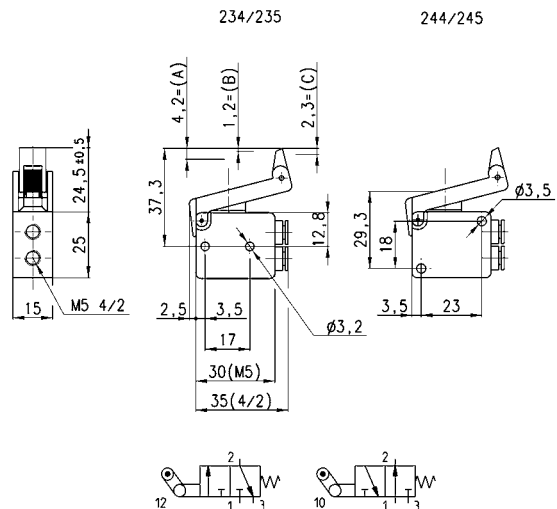


Mod.
234-955
235-955
244-955
245-955

Minivalves



Operating pressure = 2 ÷ 8 bar
 Flow rate = 60 NI/min.
 Actuating force at 6 bar = 6 N
 A = Complete stroke
 B = Centres closed position
 C = Effective stroke



Mod.
234-965
235-965