

# Ball & Check Valves

## Full Flow Ball Valves, Brass



**Temperature Range:**  
-20°C to +110°C

Male/male threads.

**Lever handle in aluminium.**

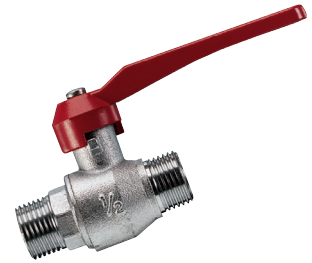
Body in nickel-plated brass.

Minimum and maximum working temperatures: -20°C, 110°C  
in absence of steam.

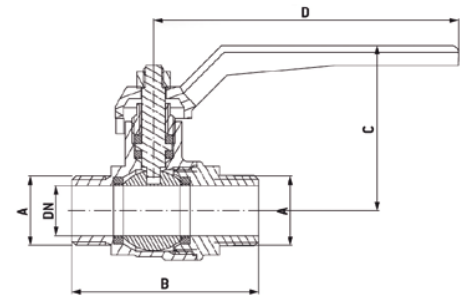
Threads: ISO 228

(equivalent to DIN EN ISO 228 and BS EN ISO 228).

Available with T handle in the sizes 3/8" through 1".



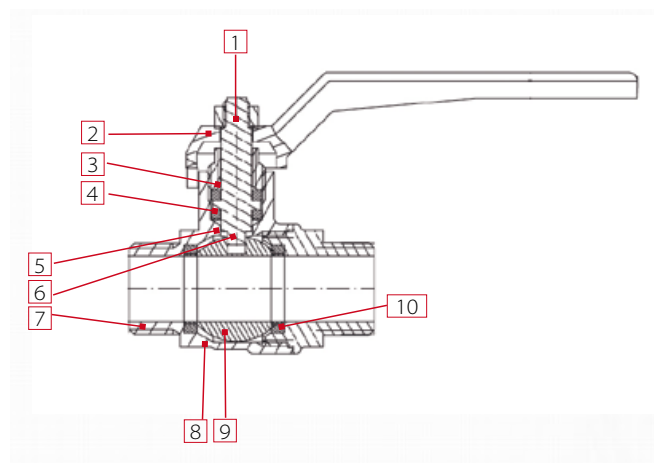
Part No	BV99-38	BV99-12	BV99-34	BV99-1	BV99-114	BV99-112	BV99-2
Size	3/8"	1/2"	3/4"	1"	1.1/4"	1.1/2"	2"
DN	10	15	20	25	32	40	50
A (mm)	3/8"	1/2"	3/4"	1"	1.1/4"	1.1/2"	2"
B (mm)	49	58,5	65	76,5	87	103	113
C (mm)	46	51	54	63	77	88	97
D (mm)	92	92	92	115	125	150	150
Working pressure Kg/cm2 - bar	20	20	20	20	16	16	16
PSI lbs working pressure	290	290	290	290	230	230	230



MISURA/SIZE	3/8" (DN 10)	1/2" (DN 15)	3/4" (DN 20)	1" (DN 25)	1"1/4 (DN 32)	1"1/2 (DN 40)	2" (DN 50)
PRESSIONE/PRESSURE	20bar/290psi	20bar/290psi	20bar/290psi	20bar/290psi	16bar/232psi	16bar/232psi	16bar/232psi
CODICE/CODE	0990038/F	0990012/F	0990034/F	0990100/F	0990114	0990112	0990200
IMBALLI/PACKING	30/240	25/125	15/120	10/70	10/50	3/30	2/16

## Materials

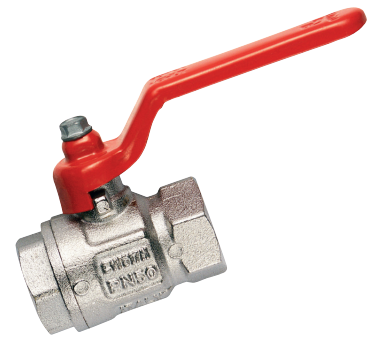
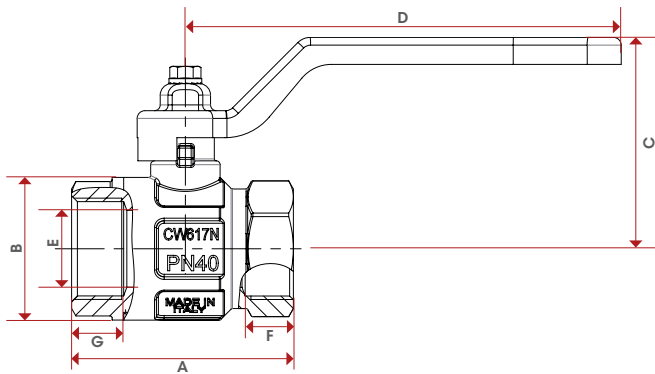
Pos.	Description	N.	Material
1	Screw	1	Zincplated
2	Lever handle	1	Aluminium UNI 5076
3	Gland	2	Brass CW614N
4	Ring	1	PTFE
5	Ring	1	PTFE
6	Stem	1	Brass CW614N
7	End adapter	1	Hard chromeplated
8	Body	1	Hard chromeplated
9	Ball	1	Hard chromeplated
10	Washer	2	PTFE



# Ball Valves IDEAL

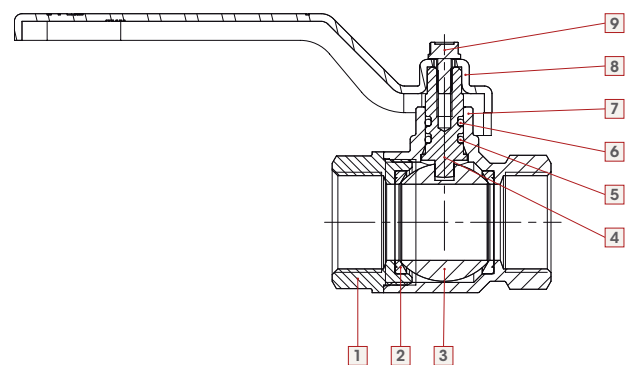
Suitable for domestic water services, heating and air-conditioning plants, compressed air systems.

 **Temperature Range:**  
-20°C to 150°C in absence of steam

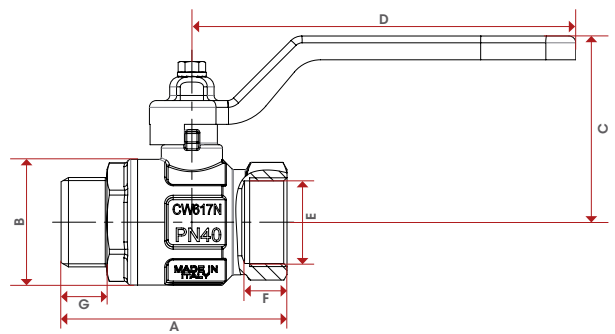


	1/4"	3/8"	1/2"	3/4"	1"	1"1/4"	1"1/2"	2"	2"1/2"	3"	4"
DN	8	10	15	20	25	32	40	50	65	80	100
A	44,4	44,4	50,5	57,5	70	80,5	94,5	112,5	134,5	157	190
B	23,5	24	30,5	37	45,5	57	70	84	109	131	164
C	37	37	41	55	59	75	81	96	115	133	149
D	80	80	80	113	113	138	138	157,8	197	250	250
E	10	10	15	20	25	32	40	50	65	80	100
F	10	10	12	12,5	15	17	18,5	22	24	26	30
G	10	10	12,5	13,5	15	16,5	17,5	20,5	24	26	30
Kg/cm2 bar	50	50	50	40	40	30	30	25	18	16	14
LBS - psi	725	725	725	580	580	435	435	362,5	261	232	203

Pos.	Description	N.	Material
1	End adapter	1	Nickel-plated brass CW617N
2	Seat	2	PTFE
3	Ball	1	Chrome-plated brass CW617N
4	Stem	1	Brass CW614N
5	O-ring	1	NBR
6	O-ring	1	VITON ®
7	Body	1	Nickel-plated brass CW617N
8	Lever handle	1	Zinc-plated and varnished steel Fe.P.04
9	Screw	1	Zinc-plated steel Fe CB4



	1/4"	3/8"	1/2"	3/4"	1"	1.1/4"	1.1/2"	2"
DN	8	10	15	20	25	32	40	50
A	54	54	58,5	66,5	78,5	91,5	105,5	122
B	23,5	24	30,5	37	45,5	57	70	84
C	37	37	41	55	59	75	81	96
D	80	80	80	113	113	138	138	157,8
E	8	10	15	20	25	32	39	50
F	10	10	12	12,5	15	17	18,5	22
G	10,5	10,5	11,5	13,5	14,5	17	19	21
Kg/cm2 bar	50	50	50	40	40	30	30	25
LBS - psi	725	725	725	580	580	435	435	362,5



Pos.	Description	N.	Material
1	End adapter	1	Nickel-plated brass CW617N
2	Seat	2	PTFE
3	Ball	1	Chrome-plated brass CW617N
4	Stem	1	Brass CW614N
5	O-ring	1	NBR
6	O-ring	1	VITON ®
7	Body	1	Nickel-plated brass CW617N
8	Lever handle	1	Zinc-plated and varnished steel Fe.P.04
9	Screw	1	Zinc-plated steel Fe CB4

