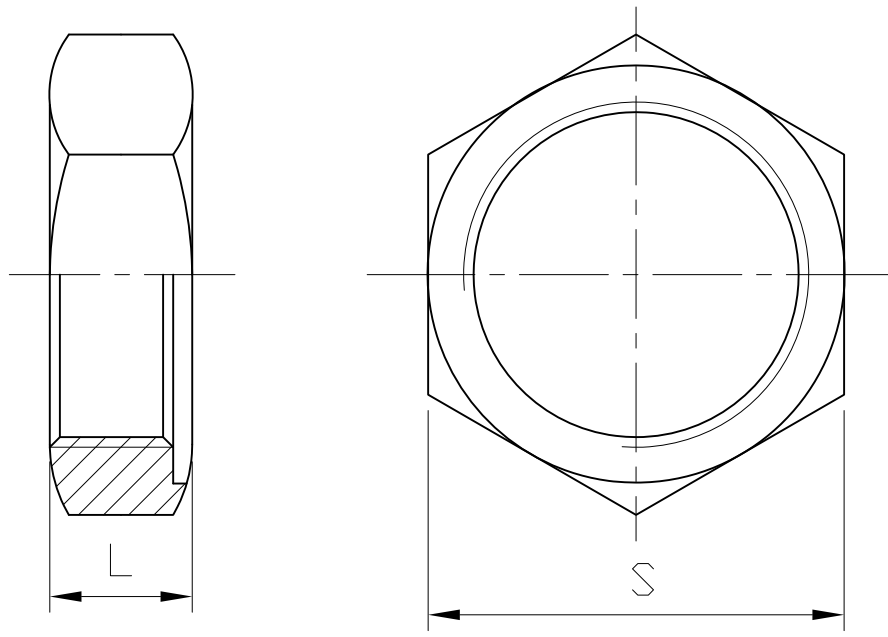


HEXAGON NUT

| | | |
|----|-----|------|
| Ra | 0.2 | ▽▽▽▽ |
| | 1.6 | ▽▽▽ |
| | 6.3 | ▽▽ |
| | 25 | ▽ |
| | ~ | ~ |

| | |
|-------------------|-------------------|
| GENERAL TOLERANCE | 0.5-5 ± 0.1 |
| | 6-30 ± 0.2 |
| | 31-120 ± 0.3 |
| | 121-320 ± 0.5 |
| | 321-1000 ± 0.8 |

HAITIMA CORPORATION
 P.O. BOX 34-36 TAIPEI
 Tel:+886-2-26585800
 E-mail:haitima@seednet.tw
 TAIWAN R.O.C. www.haitimo.com.tw
 F.o.x:+886-2-26582266



| SIZE | L | | S | |
|--------|------|------|------|------|
| | mm | in | mm | in |
| 1/8" | 6.3 | 0.25 | 17.3 | 0.68 |
| 1/4" | 7 | 0.28 | 19.1 | 0.75 |
| 3/8" | 7.5 | 0.3 | 25.3 | 1 |
| 1/2" | 7.7 | 0.3 | 30.1 | 1.19 |
| 3/4" | 9.2 | 0.36 | 34.4 | 1.35 |
| 1" | 9 | 0.35 | 43.2 | 1.7 |
| 1-1/4" | 11.7 | 0.46 | 52 | 2.05 |
| 1-1/2" | 11.8 | 0.46 | 58.1 | 2.29 |
| 2" | 13.1 | 0.52 | 71.9 | 2.83 |
| 2-1/2" | 14.8 | 0.58 | 90.4 | 3.56 |
| 3" | 17 | 0.67 | 103 | 4.06 |
| 4" | 18 | 0.71 | 128 | 5.04 |

Tolerance: ± 0.5mm(1/8"~2")
 ± 0.8mm(2-1/2"~4")

| | | | |
|-----------------|-------------|------|---------|
| △ | | | |
| △ | | | |
| △ | | | |
| Revise | Description | Date | Approve |
| DRAWING NO. F15 | | -09 | |

| | | | | | |
|---|----------|-------------|--------------|---------------|-------------|
| HAITIMA CORPORATION Ball Valves & Pipe Fittings | CHECK BY | DRAWING BY | DATE | SPECIFICATION | Hexagon Nut |
| | | <i>Dune</i> | Mar.05.2009 | MATERIAL | 304/316 |
| | | | | PROCESS/Nr. | |
| | | | UNIT / SCALE | mm | |