

Stainless-steel Two-ear clip W4



AISI-304 Stainless steel (A2)



Two-ear Clip W4 - A20R INOX W4

Information	Ø Application		Reference W4	A	B	C	D	E	Box Quantity	Packing	Colour
	min.	max.									
<p>The use of Two-ear clips is an economical solution for many simple hose assemblies, used with air or other fluids. The two ears give the clip extra grip and help to maintain constant pressure around the hose. Fitting is more flexible and exact. The practical design of Two-ear clips means that they clamp firmly on to the assembly and cannot be removed once mounted. The edges are rounded to avoid damage to the hose.</p> <p>Due to the AISI-304 steel used in the manufacture of these clips, their corrosion resistance is outstanding.</p> <p>They are recommended especially in outdoor applications.</p>	5	7	23012108	7,3	4,3	6,0	11,5	0,6	2000	16000	INOX
	7	9	23012116	9,3	4,8	6,0	14,5	0,8	1000	16000	INOX
	9	11	23012124	11,3	5,3	6,5	16,5	0,8	1000	8000	INOX
	11	13	23012132	13,3	5,8	6,5	19,0	0,8	500	8000	INOX
	13	15	23012140	15,3	6,3	7,0	21,5	1,0	500	4000	INOX
	14	17	23012159	17,5	6,6	7,0	24,0	1,0	500	4000	INOX
	15	18	23012167	18,5	7,0	7,5	25,0	1,0	500	4000	INOX
	17	20	23012175	20,5	7,6	7,5	27,0	1,0	250	2000	INOX
	18	21	23012183	21,5	7,9	8,0	28,5	1,0	250	2000	INOX
	20	23	23012191	23,5	8,5	8,0	30,5	1,0	250	2000	INOX
	22	25	23012204	25,5	9,1	8,5	33,5	1,2	200	1600	INOX

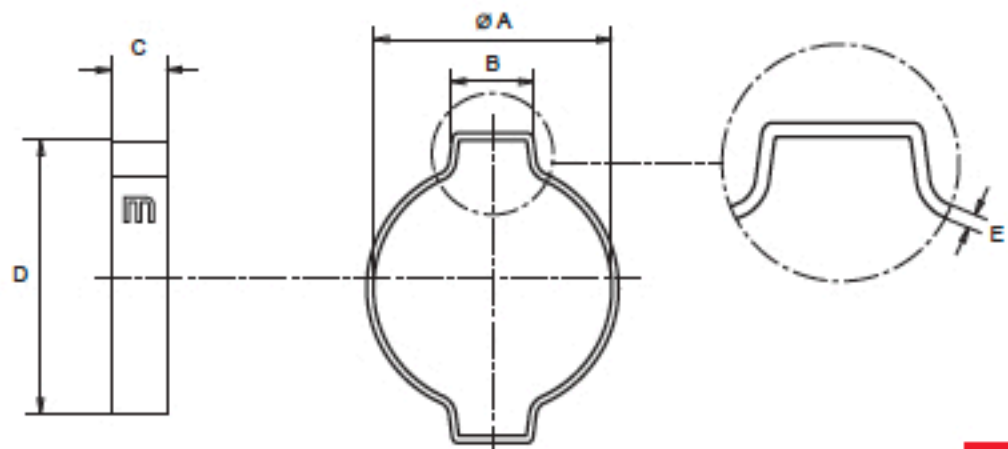
Materials W4

Band:

AISI-304
Stainless steel (A2)

Finish:

100% Stainless steel



Stainless-steel One-ear clip W4



AISI-304 Stainless steel (A2)



One-ear Clip W4 - A10R INOX W4

Information	Ø Application		Reference W4	A	B	C	D	E	Box Quantity	Packing	Colour
	min.	max.									
The use of One-ear clips is an economical solution for many simple hose assemblies, used with air or other fluids. Due to the AISI-304 steel used in the manufacture of these clips, their corrosion resistance is outstanding. They are recommended especially in outdoor applications. Like all ear clips, once mounted they are tamper-proof.	7	9	23012440	9,3	5,5	6,0	13,0	0,8	1000	16000	INOX
	8	10	23012087	10,3	6,0	6,0	14,0	0,8	1000	16000	INOX
	9	11	23012010	11,3	6,5	6,5	15,0	0,8	1000	8000	INOX
	10	12	23012028	12,3	7,0	6,5	16,0	0,8	1000	8000	INOX
	11	13	23012036	13,3	7,5	6,5	17,0	0,8	500	8000	INOX
	12	14	23012044	14,3	8,0	7,0	18,5	1,0	500	8000	INOX
	13	15	23012079	15,3	8,0	7,0	19,5	1,0	500	4000	INOX
	14	16	23012052	16,3	8,5	7,0	20,5	1,0	500	4000	INOX
	15	17	23012058	17,5	9,0	7,0	22,0	1,0	500	4000	INOX
	16	18	23012060	18,5	9,0	7,0	23,0	1,0	500	4000	INOX
	17	19	23012423	19,5	9,5	7,5	24,0	1,0	250	2000	INOX
	18	20	23012431	20,5	10,0	7,5	25,0	1,0	250	2000	INOX

Materials W4

Band:
AISI-304
Stainless steel (A2)

Finish:
100% Stainless steel

