

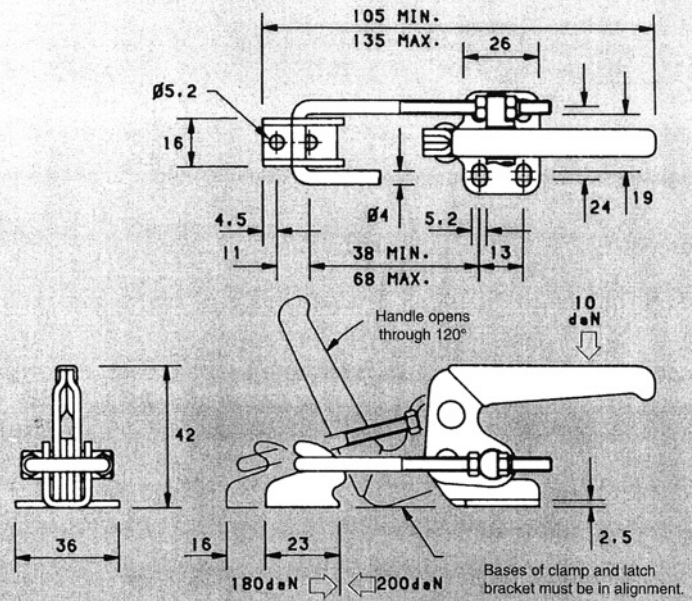
# LATCH CLAMPS — HORIZONTAL

## MODEL LU200H \*

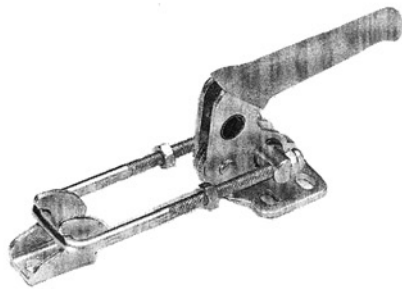


**Nominal Holding Force:** 200 daN  
**Weight:** 0.05 Kg  
**Supplied complete with:** Latch Bracket as shown.

See "Features and installation information" page for installation instructions.

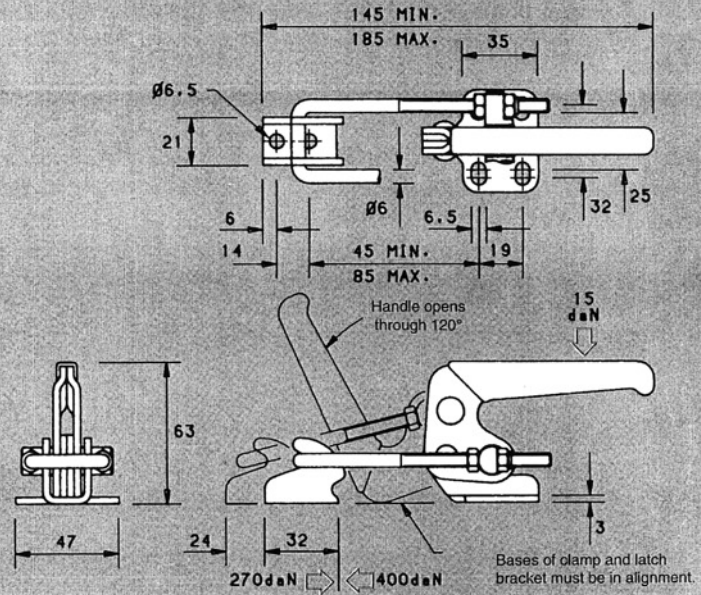


## MODEL LU400H

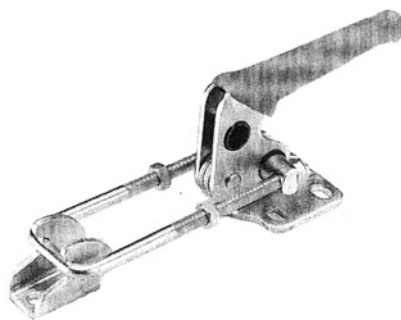


**Nominal Holding Force:** 400 daN  
**Weight:** 0.25 Kg  
**Supplied complete with:** Latch Bracket as shown.

See "Features and installation information" page for installation instructions.



## MODEL LU700H



**Nominal Holding Force:** 700 daN  
**Weight:** 0.70 Kg  
**Supplied complete with:** Latch Bracket as shown.

See "Features and installation information" page for installation instructions.

