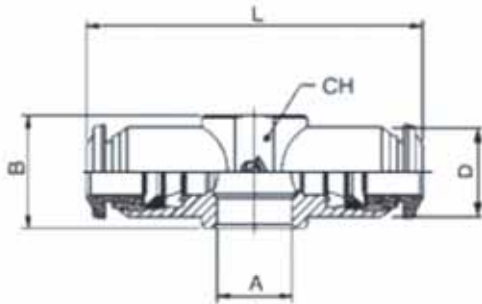


50500 - SINGLE BANJO BODY

Tubo	A	B	L	CH	D	Conf./Pack	Draw
3	M5	12,5	19	-	10	25	Download (268.81 KB)
3	M6	12,5	19	-	10	25	Download (272.84 KB)
4	M5	12,5	19	-	10	25	Download (247.32 KB)
4	M6	12,5	19	-	10	25	Download (252.09 KB)
4	1/8	15	21	14	10	25	Download (301.48 KB)
5	M5	12,5	20	-	12,5	25	Download (348.90 KB)
5	M6	12,5	20	-	12,5	25	Download (354.95 KB)
5	1/8	15	21,5	14	12,5	25	Download (395.30 KB)
5	1/4	17	24,5	18	12,5	25	Download (391.76 KB)
6	M5	12,5	20,5	-	12,5	25	Download (188.68 KB)
6	M6	12,5	20,5	-	12,5	25	Download (200.31 KB)
6	1/8	15	22	14	12,5	25	Download (222.59 KB)
6	1/4	17	25	18	12,5	25	Download (234.19 KB)
8	1/8	15	24	14	14	25	Download (337.16 KB)
8	1/4	17	26	18	14	25	Download (335.03 KB)
8	3/8	20	28	21	14	25	Download (378.18 KB)
10	1/4	17	29	18	17	25	Download (238.97 KB)
10	3/8	20	30,5	21	17	25	Download (274.12 KB)
12	3/8	20	32,5	21	21,5	25	Download (258.95 KB)
12	1/2	24	35	25	21,5	10	Download (216.12 KB)
14	1/2	24	35,5	25	21,5	10	Download (173.91 KB)



50510 - DOUBLE BANJO BODY

Tubo	A	B	L	CH	D	Conf./Pack	Draw
4	M5	12,5	38	-	10	25	Download (527.12 KB)
4	M6	12,5	38	-	10	25	Download (546.16 KB)
4	1/8	15	42	14	10	25	Download (577.33 KB)
5	1/8	15	43	14	12,5	25	Download (727.11 KB)
5	1/4	17	49	18	12,5	25	Download (725.79 KB)
6	1/8	15	44	14	12,5	25	Download (426.04 KB)
6	1/4	17	50	18	12,5	25	Download (441.70 KB)
8	1/8	15	48	14	14	25	Download (634.92 KB)
8	1/4	17	52	18	14	25	Download (634.50 KB)