



# Equal Union Bulkhead

## Equal Union Bulkhead

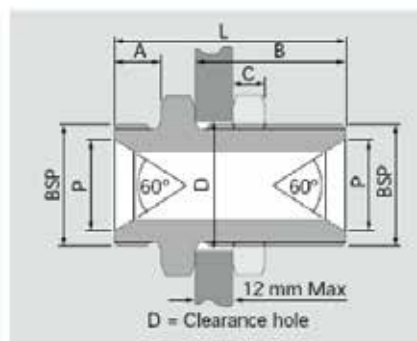
### Features:

- High Working Pressure
- Mild Steel - High Grade Material
- Sealing face and threads machined to high tolerance
- High Level Corrosion Resistance Plating (CR3 compliant)
- Bonded Seal Centring Cone
- Available in Stainless Steel 316 or Cupro Nickel



### Benefits:

- Highly resistant to leakage even under severe vibration, pressure pulsation and temperature



Stud BSP	Part No	A mm	B mm	L mm	C mm	D mm	P mm	Body A/F mm	Body A/C mm	Nut A/F mm	Max WP Bar
1/4	KREUBH4	11	29	48	6	15	11	19	21.9	19	680
3/8	KREUBH6	13	32	54	7	18	14	22	25.4	22	680
1/2	KREUBH8	16	35	60	8	23	18	27	31.1	27	680
5/8	KREUBH10	16	35	60	8	24	19	33	38.1	33	680
3/4	KREUBH12	19	38	68	9	28	23	33	38.1	32	680
1	KREUBH16	21	41	75	10	35	29	41	47.4	41	500
1-1/4	KREUBH20	21	45	79	14	43	37	50	57.8	50	500
1-1/2	KREUBH24	25	48	89	15	49	43	55	63	55	500