

VACUUM QUICK EXHAUST VALVES

Specification

Fluid	Air
Proof Pressure	1.5 Mpa
Maximum Operating Pressure	1.0 Mpa
Minimum Operating Pressure	0.1 Mpa
Ambient & Fluid Temperature	-5 to 60°C (No Freezing)



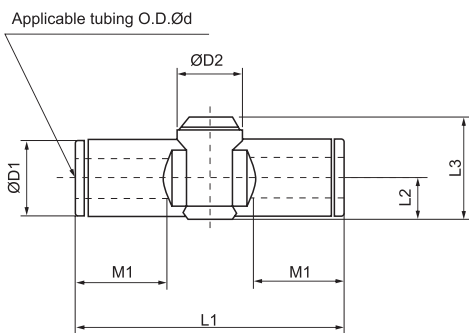
Ordering Code

K 2 4 0 F	—	0 4	—	0 0
Style		O.D. mm Ø		Silencer
In-line		04: 04 06: 06		00: with silencer Blank: with exhaust port fitting

Dimensions

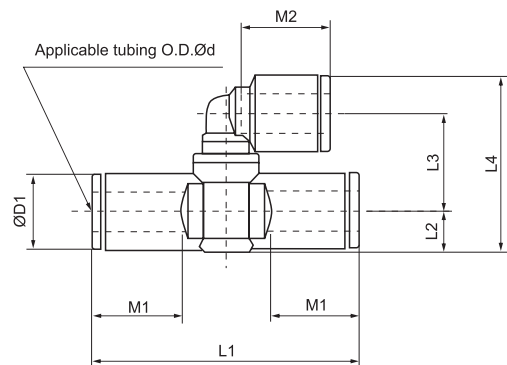
All sizes are in millimetres unless stated otherwise.

With Silencer



Model	O.D. mm	D1	D2	L1	L2	L3	M1
K-240F-04-00	04	9.3	10.0	39.2	5.2	14.3	12.9
K-240F-06-00	06	11.6		40.7	6.2	15.4	13.7

With Exhaust Port Fitting



Model	O.D. mm	D1	L1	L2	L3	L4	M1	M2
K-240F-04-04	04	9.3	39.2	5.2	13.7	23.5	12.9	12.9
K-240F-06-06	06	11.6	40.7	6.2	14.7	26.7	13.7	13.7