

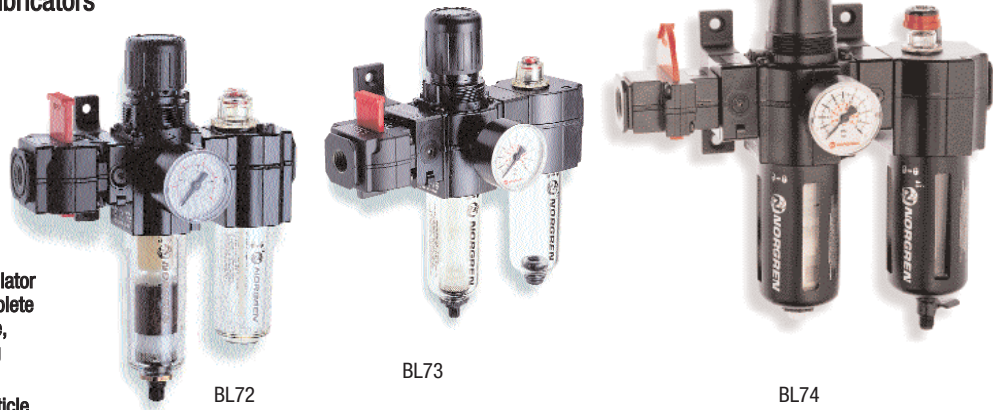
Air line equipment

Excelon modular system

Boxed sets and combination units

Filter/regulators and lubricators

G $\frac{1}{4}$ to G $\frac{1}{2}$



Boxed sets include: filter/regulator and micro-fog lubricator complete with exhausting shut-off valve, pressure gauge and mounting brackets

High efficiency water and particle removal

Quick release bayonet bowls

Push to lock adjusting knob with tamper resistant option

All round (360°) visibility of lubricator sight feed dome for ease of drip rate setting

Micro-fog lubricator for most general purpose pneumatic applications

Technical data

Medium:

Compressed air

Maximum inlet pressure:

Transparent & guarded bowls: 10 bar

Metal: 17 bar

Ambient temperature:

Transparent & guarded bowls:

-20°C to +50°C

Consult our Technical Service for use below +2°C

Materials

BL72, FL72:

Polycarbonate bowl standard, zinc bowl optional. Zinc body. Neoprene, nitrile and Geolast elastomeric materials. Transparent nylon liquid level indicator lens for metal bowl.

Filter/regulator: Acetal bonnet.

Sintered polypropylene element.

Brass valve.

Lubricator: Transparent nylon sight-feed dome.

BL73:

Aluminium bonnet, brass valve

Sintered plastic element

Aluminium body and bowl

Transparent nylon liquid level indicator and sight feed dome

Neoprene and nitrile elastomers

	Port size	Element (µm)	Bowl	Pressure range (bar)	kg	Operation	Model Auto *	Manual **
Boxed sets	G1/4	40	Transparent	0,3 ... 10	1,65	Relieving	BL72-201GA	BL72-221G
	G3/8	40	Transparent	0,3 ... 10	2,26	Relieving	BL73-301G	BL73-321G
	G1/2	40	Guarded transparent	0,3 ... 10	3,55	Relieving	BL74-401G	BL74-421G
Filter-regulator & lubricator combinations	G1/4	40	Transparent	0,3 ... 10	1,67	Relieving	BL72-208GA	BL72-228G
	G3/8	40	Transparent	0,3 ... 10	1,67	Relieving	BL72-308GA	BL72-328G
	G3/8	40	Transparent	0,3 ... 10	2,26	Relieving	BL73-308G	BL73-328G
	G1/2	40	Transparent	0,3 ... 10	2,26	Relieving	BL73-408G	BL73-428G
	G1/2	40	Guarded transparent	0,3 ... 10	3,50	Relieving	BL74-408G	BL74-428G
Filter & lubricator combinations	G1/4	40	Transparent		1,95		FL72-208GA	FL72-228G
	G3/8	40	Transparent		1,95		FL72-308GA	FL72-328G

* For metal bowl options substitute '5' at 7th digit e.g. BL73-351G ** For metal bowl options substitute '6' at 7th digit e.g. BL72-261G

Options selector

Units	Substitute	Drain	Substitute
Filter-regulator-lubricator combinations	B	Auto drain (72 only)	A
Filter-lubricator combinations	F		
Series	Substitute	Accessories	Substitute
72	2	Shut-off valve & gauge & brackets	1
73	3	Shut-off valve & gauge	2
74	4	Shut-off valve & bracket	3
		Shut-off valve	4
		Gauge & bracket	5
		Gauge	6
		Bracket	7
		None	8
Port size	Substitute	Units	Substitute
1/4	2	Micro-fog lubricator & auto drain*	
3/8	3	filter (Filter-regulator)	0
1/2	4	Oil-fog lubricator & auto drain	
3/4	6	filter (Filter-regulator)	1
		Micro-fog & manual drain	2
		Oil-fog & manual drain	3
		Micro-fog lubricator & auto drain & metal bowl	5
		Oil-fog lubricator & auto drain & metal bowl	6
		Micro-fog lubricator & manual drain & metal bowl	7
		Oil-fog lubricator & manual drain & metal bowl	8

* Semi-auto 72 only

Excelon modular system

Boxed sets and combination units

Filter/regulators and lubricators

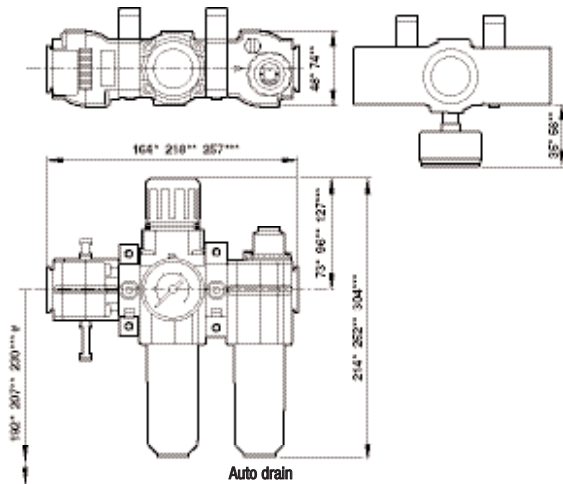
G $\frac{1}{4}$ to G $\frac{1}{2}$

Accessories

Series	Port size	Gauge 0 ... 10 bar ‡	Tamper resistant cover and seal wire	Seal wire	Tamper resistant snap-on cap for lubricator sight feed dome	Exhaust port silencer 3/2 Shut-off valve	3/2 Shut-off valve	Wall mounting bracket
BL72	G1/4	18-013-989	4255-51	2117-01	4050-89	T40M0500	T72T-2GA-P1N	4213-89
FL72	G3/8	-	-	-	4050-89	-	T72T-3GA-P1N	4213-89
BL73	G3/8	18-013-013	4455-51	2117-01	4050-89	T40M0500	T73T-3GA-P1N	4313-50
FL73	G1/2	-	-	-	4050-89	-	T73T-4GA-P1N	4313-50
BL74	G1/2	18-013-013	4355-50*	2117-01	-	T40B1800	T74T-4GA-P1N	4313-50
FL74	G3/4	-	-	-	-	-	T74T-6GA-P1N	4313-50

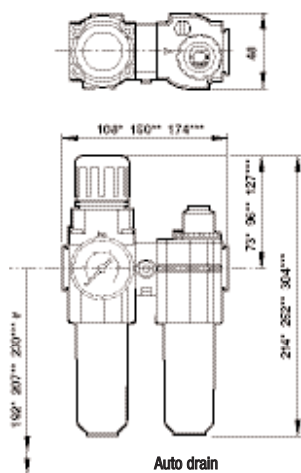
Pack of 10. ‡ For additional gauges see page 486 * Seal wire not included.

Boxed sets



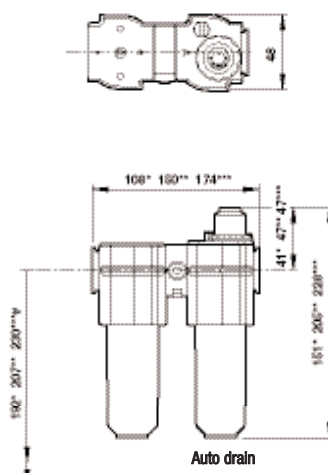
*BL72 **BL73 ***BL74 # Minimum clearance required to remove bowl.

Filter/regulator & lubricator combinations



*BL72 **BL73 ***BL74 # Minimum clearance required to remove bowl.

Filter & lubricator combinations



*BL72 **BL73 ***BL74 # Minimum clearance required to remove bowl.