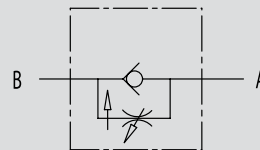


Compensated 90° Flow Regulator Valves



SCHEMA IDRAULICO
HYDRAULIC DIAGRAM



COMPENSATED 90° FLOW REGULATOR VALVES

USE AND OPERATION:

This valve is used to adjust flow speed of actuators in one direction; flow is free in the reverse one. The internal compensation system allows to keep a constant speed even when the load varies. High adjustment sensitivity.

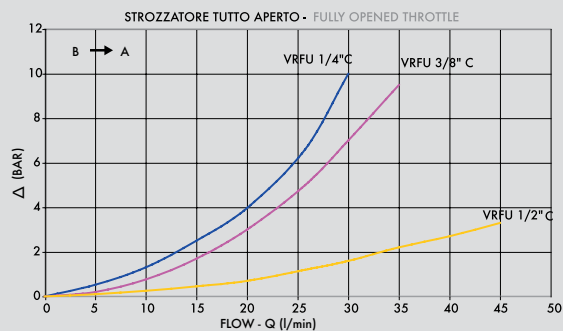
MATERIALS AND FEATURES:

Body: zinc-plated steel
Internal parts: hardened and ground steel
Seal: BUNA N standard
Tightness: needle type.

APPLICATIONS:

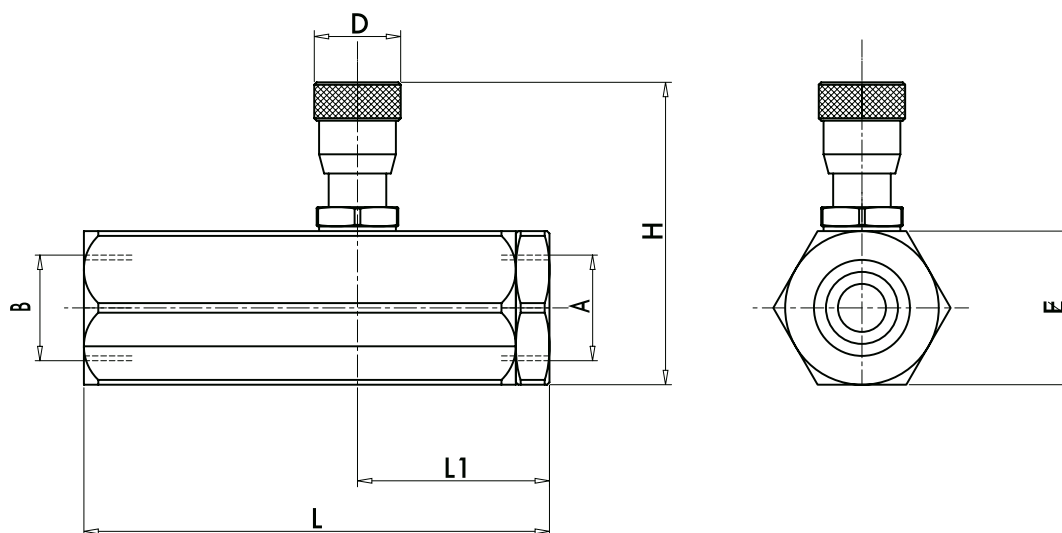
Connect A to the pressure flow and B to the actuator to set; flow is adjust from B to A and is free in the reverse direction. Flow adjustment is made by rotating the hand knob after loosening the side locking screw. This particular configuration allows an accurate and sensitive adjustment.

PRESSURE DROPS CURVE



Oil temperature: 50° C - Oil viscosity: 30 cSt

CODICE CODE	SIGLA TYPE	PORTATA MAX da A a B MAX FLOW from A to B Lt. / min	PORTATA MAX da B a A MAX FLOW from B to A Lt. / min	PRESSIONE MAX MAX PRESSURE Bar
CFVC04	VRFU 90° 1/4" COMPENSATO	17	25	250
CFVC06	VRFU 90° 3/8" COMPENSATO	17	30	250
CFVC08	VRFU 90° 1/2" COMPENSATO	28	45	250



CODICE CODE	SIGLA TYPE	A . B GAS	L mm	L1 mm	D1 mm	H MAX mm	E mm	PESO WEIGHT kg
CFVC04	VRFU 90° 1/4" COMPENSATO	G1/4"	88	37	20	64	32	0,524
CFVC06	VRFU 90° 3/8" COMPENSATO	G3/8"	88	37	20	64	32	0,510
CFVC08	VRFU 90° 1/2" COMPENSATO	G1/2"	107	46	20	76	36	0,700