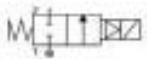


2/2 WAY PILOT OPERATED SOLENOID VALVE, G 1/4" - G 1"



normally closed

TYPE: B203/204/205/206/222

TECHNICAL SPECIFICATIONS

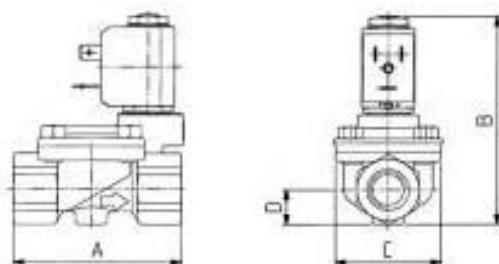
Media: water, oil, air,
 Media temperature: -10°C ... +90°C
 Ambient temperature: -10°C ... +60°C
 Body material: brass (CW617N EN 12165)
 Operator material: stainless steel
 Operator seal material: FKM
 Seal and Diaphragm material: NBR
 Coil power: AC 10VA (holding)
 AC 16VA (inrush)
 DC 7W
 Protection class: IP 65 (with connector)

OPTIONS

Normally open (Ex. code BB206DBY)
 Manual override (Ex. code B204DBZM)
 Speed control screw (only for B205/B222; Ex. code B222DBYU)
 EPDM seal for air and hot water MAX 120°C (Ex. code B204DEZ)
 FKM seal for air, water, oil MAX 130°C (Ex. code B204DUZ)

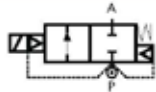


SELECTION TABLE	VALVE	G connection	Nominal Diameter	Flow rate kv	OPD			COILS	
					min	max	Code	(Volts/Hz)	
	Code	-	(mm)	(l/min)	(bar)	AC	DC	Code	(Volts/Hz)
B203DBZ	1/4"	13	26	0.3	16	16	2250	24/DC	
B204DBZ	3/8"	13	55	0.3	16	16	2200	24/50 - 60	
B205DBZ	1/2"	13	63	0.3	16	16	2400	110/50 - 120/60	
B206DBX compact	3/4"	21	90	0.3	16	16	2600	200/50 - 220/60	
B206DBY	3/4"	25	183	0.3	16	16	2700	230/50 - 240/60	
B222DBY	1"	25	216	0.3	16	16			



DIMENSIONS & WEIGHTS	G connection	A	B	C	D	weight
	(mm)	(mm)	(mm)	(mm)	(mm)	(kg)
-	67	90	44	15	0.4	
1/4"	67	90	44	15	0.4	
3/8"	67	90	44	15	0.4	
1/2"	67	90	44	15	0.4	
3/4" compact	82	105	50	20.25	0.6	
3/4"	96	115	70	23	1.2	
1"	96	115	70	23	1.2	

2/2 WAY PILOT OPERATED SOLENOID VALVE, G 1 1/4" ÷ G 2"



normally closed

TYPE: D223/224/225

TECHNICAL SPECIFICATIONS

Media: water, oil, air

Media temperature: -10°C ÷ +90°C

Ambient temperature: -10°C ÷ +50°C

Body material: brass (CW617N EN 12165)

Operator material: stainless steel

Operator seal material: NBR

Seal and diaphragm material: NBR

Coil power: AC 18VA (holding)

AC 36VA (inrush)

DC 14w

Protection class: IP 65 (with connector)

Speed control screw as standard

OPTIONS

Normally open (e.g. code BD224DBK) with coils class "H" only

Manual override (e.g. code D223DBKM)

EPDM seal for air and hot water MAX 120°C (e.g. code D223DEK)

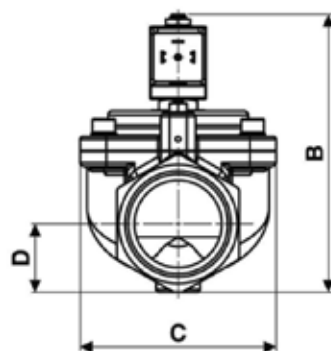
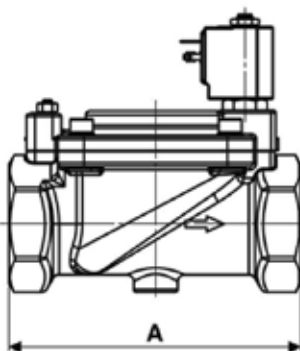
FKM seal for air, water, oil MAX 130°C (e.g. code D223DYK)

EEX proof version (please see page 43 for more information)



SELECTION TABLE

VALVE	G connection	nominal diameter	flow rate Kvs	OPD			COILS	
				min	max AC	max DC	code	[Volts/Hz]
code	[ISO 228 G]	[mm]	[l/min]	[barg]	[barg]	[barg]	code	[Volts/Hz]
D223DBK	1 1/4"	40	370	0.5	16	16	7250	24v DC
D224DBK	1 1/2"	40	400	0.5	16	16	7200	24v 50/60Hz
D225DBJ	2"	50	540	0.5	16	16	7400	110v 50Hz - 120v 60Hz
							7600	200v 50Hz - 220v 60Hz
							7700	230v 50Hz - 240v 60Hz



DIMENSIONS & WEIGHTS

G connection	A	B	C	D	weight
[ISO 228 G]	[mm]	[mm]	[mm]	[mm]	[kg]
1 1/4"	140	140	96	31	2.8
1 1/2"	140	140	96	31	2.8
2"	168	158	112	39	3.9