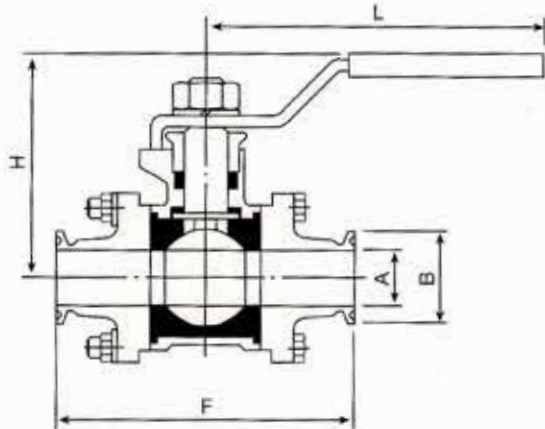


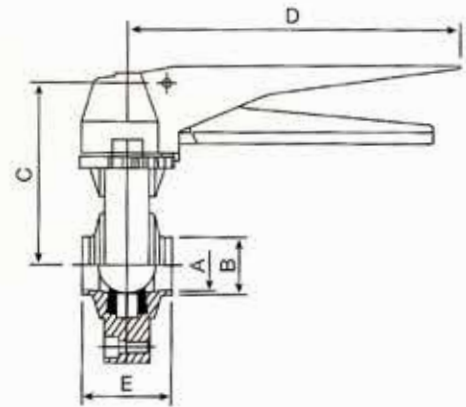
Valves

Ball Valve (Clamp type)



Size	Catalogue No.	A (mm)	B (mm)	F (mm)	H (mm)	L (mm)
1/2"	BLV-CT-0.5	9.4	25.4	88.9	52.1	100
3/4"	BLV-CT-0.75	15.7	25.4	101.6	57.9	132
1"	BLV-CT-1.0	22.1	50.4	114.3	62	132
1 1/2"	BLV-CT-1.5	34.8	50.4	139.7	98	175
2"	BLV-CT-2.0	47.5	63.9	158.8	103.9	175
2 1/2"	BLV-CT-2.5	60.2	77.5	197.5	141	260
3"	BLV-CT-3.0	72.9	90.9	228.6	154.9	260
4"	BLV-CT-4.0	97.4	118.9	241.3	175	260

Butterfly Valve (Weld type)



Size	Catalogue No.	A (mm)	B (mm)	C (mm)	D (mm)	E (mm)
1"	BFV-WT-1.0	22.1	25.4	82	150	40
1 1/2"	BFV-WT-1.5	34.8	38.1	87	150	50
2"	BFV-WT-2.0	47.5	50.8	93.5	150	50
2 1/2"	BFV-WT-2.5	60.2	63.5	93.5	150	50
3"	BFV-WT-3.0	72.9	76.2	102	150	50
4"	BFV-WT-4.0	97.4	101.6	119.5	150	64