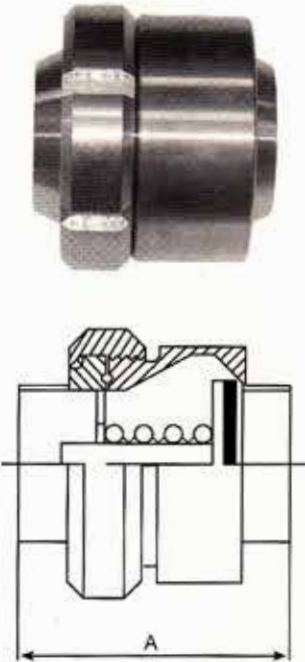


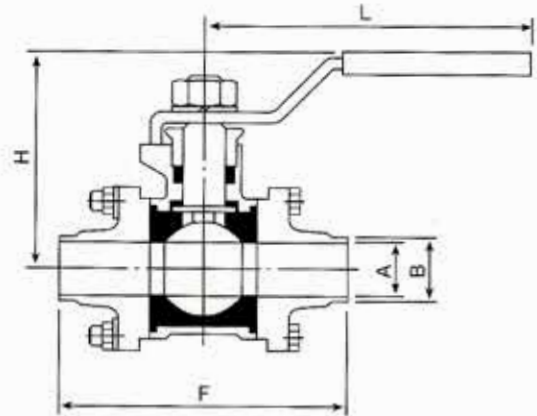
# Valves

## Non-Return Valve (Weld type)



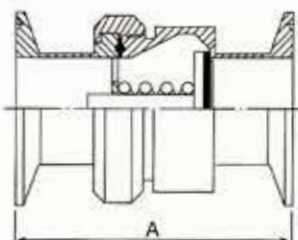
Size	Catalogue No.	Dimension A (mm)
1"	CHV-WT-1.0	69.9
1½"	CHV-WT-1.5	69.9
2"	CHV-WT-2.0	76.2
2½"	CHV-WT-2.5	101.6
3"	CHV-WT-3.0	101.6
4"	CHV-WT-4.0	127

## Ball Valve (Weld type)



Size	Catalogue No.	A (mm)	B (mm)	F (mm)	H (mm)	L (mm)
½"	BLV-WT-0.5	9.4	12.7	88.9	52.1	100
¾"	BLV-WT-0.75	15.7	19.1	101.6	57.9	132
1"	BLV-WT-1.0	22.1	25.4	114.3	62	132
1½"	BLV-WT-1.5	34.8	38.1	139.7	98	175
2"	BLV-WT-2.0	47.5	50.8	158.8	103.9	175
2½"	BLV-WT-2.5	60.2	63.5	197.5	141	260
3"	BLV-WT-3.0	72.9	76.2	228.6	154.9	260
4"	BLV-WT-4.0	97.4	101.6	241.3	175	260

## Non-Return Valve (Clamp type)



Size	Catalogue No.	Dimension A (mm)
1"	CHV-CT-1.0	95.3
1½"	CHV-CT-1.5	95.3
2"	CHV-CT-2.0	101.6
2½"	CHV-CT-2.5	127
3"	CHV-CT-3.0	127
4"	CHV-CT-4.0	158.6