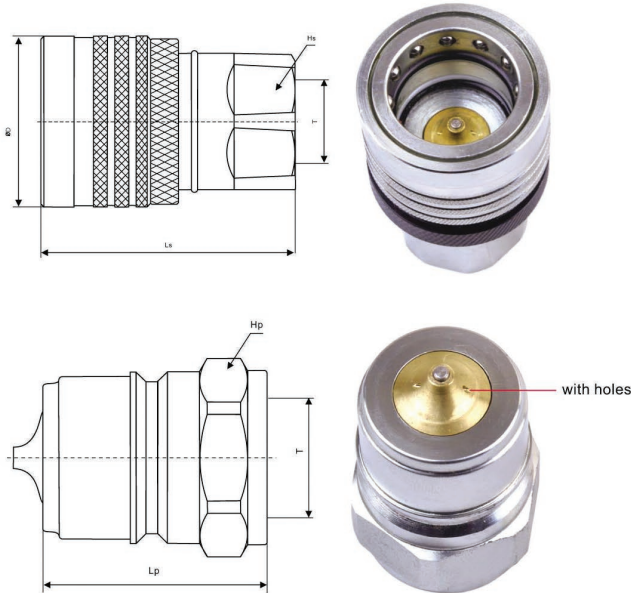


# 200 SERIES MANUAL LOCKING RING COUPLING (CARBON STEEL, BRASS, STAINLESS STEEL), POPPET VALVE WITH HOLE, WITH PRESSURE ELEMINATOR



| Art. No. | Size | Body Size | ISO  | Ls | ΦD | Hs  | T        |
|----------|------|-----------|------|----|----|-----|----------|
| TSC06CS  | 06   | 3/8"      | 10   | 62 | 34 | S24 | 3/8"BSPP |
| TSC08CS  | 08   | 1/2"      | 12.5 | 68 | 40 | S30 | 1/2"BSPP |
| TSC12CS  | 12   | 3/4"      | 20   | 79 | 52 | S38 | 3/4"BSPP |
| TSC16CS  | 16   | 1"        | 25   | 92 | 62 | S45 | 1"BSPP   |

| Art. No. | Size | Body Size | ISO  | Lp   | Hp  | T        |
|----------|------|-----------|------|------|-----|----------|
| TSP06CS  | 06   | 3/8"      | 10   | 39   | S22 | 3/8"BSPP |
| TSP08CS  | 08   | 1/2"      | 12.5 | 43   | S27 | 1/2"BSPP |
| TSP12CS  | 12   | 3/4"      | 20   | 50   | S36 | 3/4"BSPP |
| TSP16CS  | 16   | 1"        | 25   | 56.5 | S45 | 1"BSPP   |

**INTERCHANGE**

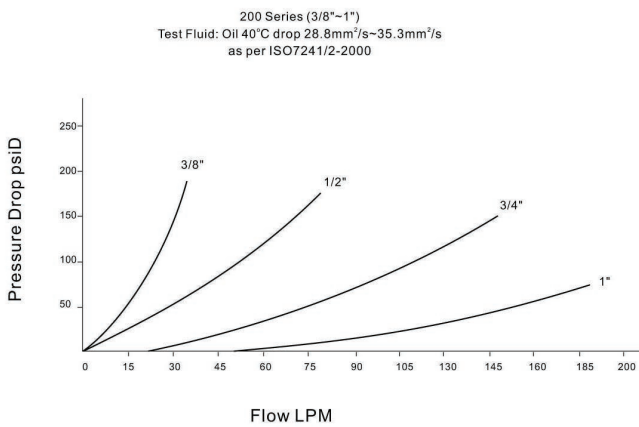
CEJN 525 SERIES (Nordic range),  
TEMA T SERIES (3/8"-T3800, 1/2"-T5000,  
3/4"-T7500, 1"-T10000)

**APPLICATIONS:**

This Series coupling is a family of quick couplings for hydraulic systems and for high pressure water. A manually operated locking ring provides extra security against involuntary disconnection. Both couplings and nipples are made of zinc-passivated steel in maximum durability in tough applications and environments.

**Body sizes:** 3/8", 1/2", 3/4", 1"

**PERFORMANCE**



**TEMPERATURE RANGE**

-25°C+120°C/-13°F+250°F  
With standard seals: Buna-N(Nitrile)  
On request seals: Viton, Neoprene, EPDM or other seals.

**MAX. WORKING PRESSURE**

3/8" :350Bar(5075PSI)  
1/2" :300Bar(4350PSI)  
3/4" :280Bar(4060PSI)  
1" :250Bar(3625PSI)

**MATERIAL**

Coupler Body :STEEL, TRIVALENT PLATED  
Plug Body :STEEL, TRIVALENT PLATED  
Valve :BRASS, STAINLESS STEEL OR STEEL  
Wing nut :ZINC PLATED STEEL  
Springs :C98  
Seals :Buna-N(Nitrile)  
Surface treatment :Zinc plating and Cr 3<sup>+</sup> Passivation or Yellow Passivation

**ATTENTION:**

Only plug and socket with the same thread fit together.