

CONAH

SAHR-15-38SRT06F

Used For	Oil Return Fuel Hose
Hose Material	Synthetic Rubber
Hose Working Length	15mtrs
Hose Internal Bore	3/8"
Inlet	3/8" BSP Female
Outlet	3/8" BSP Female
Maxium Working Pressure	20 Bar (290 psi)

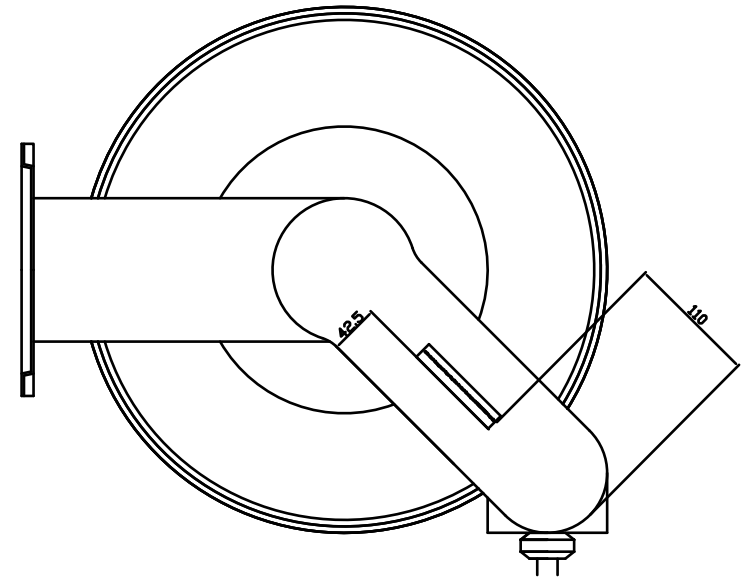
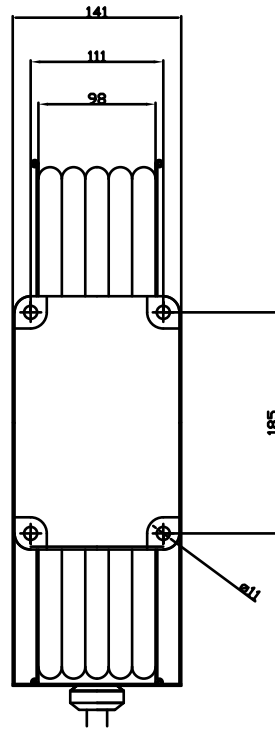
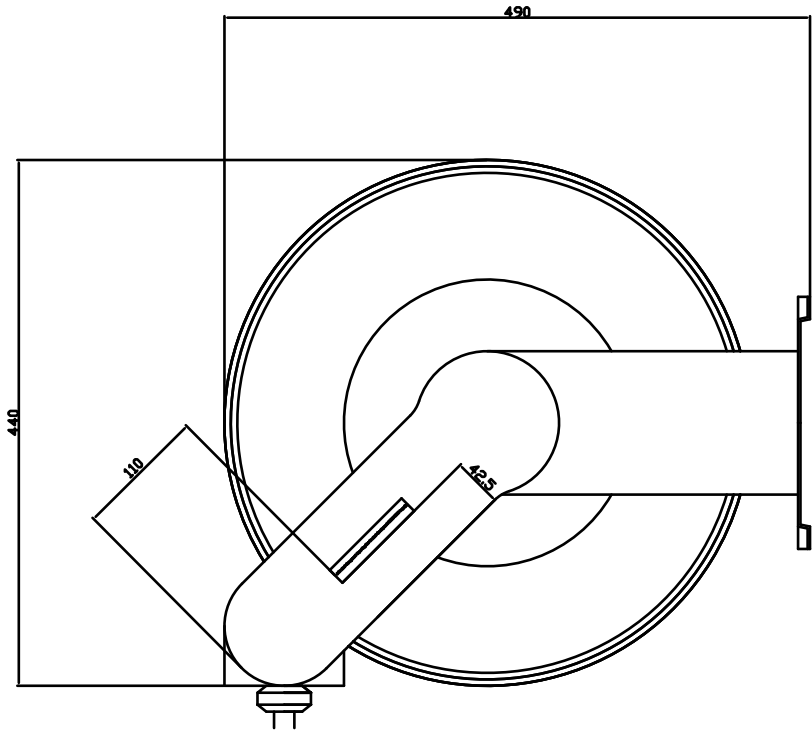


Features

- Heavy ribbed steel plate
- Spring locates in the middle
- Four-direction non-snag hose rollers
- Adjustable arm guide
- Elegant appearance, dual pedestal base
- Special swivel joint
- Ball bearing swivel joint structure
- Corrosion resistant powder coating

Benefits

- Strong support
- Ensure reel stability
- Reduces Hose wear
- Enable wall, floor, ceiling and pit mounting
- Versatile usage
- Easy maintenance and repair
- Reduces friction extending service life
- Used in most environments



UNLESS OTHERWISE STATED		NAME	DATE	TITLE
DIMENSIONS IN MM	DRAWN	DB	14032013	CONAH HOSE REEL
TOLERANCES	CHECKED			
FRACTIONAL +/- 0.10	ENG APP			SIZE DWG NO A SAHR-15-38
2 DECIMAL PLACE +/-0.1	MFG APP			
MATERIAL		QA		COMMENTS
				SCALE 1:1 WEIGHT SHEET 1 OF 1