

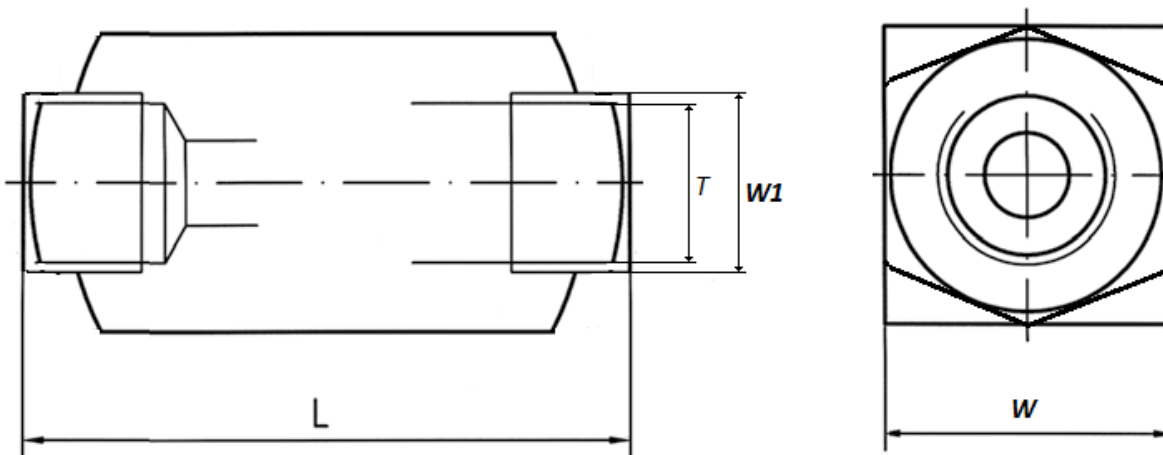


High Pressure Ball Valves

EHRVG-Series Steel Check Valves (PN 700 bar)

Specification:

| | |
|-----------------------------|----------------|
| Body: | Carbon Steel |
| Piston: | Carbon Steel |
| Spring: | C98 material |
| O-rings: | NBR |
| Standard Cracking Pressure: | 0.35bar-0.5bar |
| Surface Treatment: | Cr3 |



| Part Code | DN (mm) | PN | L (mm) | W (mm) | W1 (mm) | T |
|-----------|---------|---------|--------|--------|---------|---------|
| EHRVG-14 | 6 | 700 bar | 60 | 19 | 18.5 | G1/4" |
| EHRVG-38 | 10 | 700 bar | 70 | 24 | 23.5 | G3/8" |
| EHRVG-12 | 13 | 500 bar | 77 | 30 | 29.5 | G1/2" |
| EHRVG-34 | 20 | 500 bar | 90 | 36 | 35.5 | G3/4" |
| EHRVG-1 | 25 | 500 bar | 106 | 45 | 44.5 | G1" |
| EHRVG-114 | 32 | 400 bar | 125 | 55 | 54.5 | G1.1/4" |
| EHRVG-112 | 38 | 320 bar | 140 | 65 | 64.5 | G1.1/2" |
| EHRVG-2 | 50 | 320 bar | 160 | 75 | 74.5 | G2" |