

EDX-SERIES

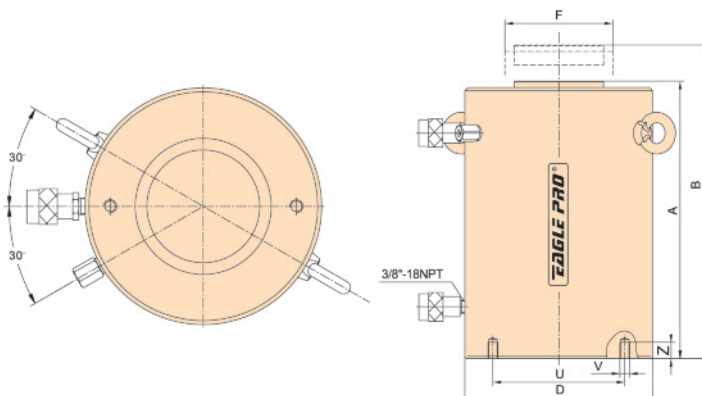


Shown from left to right:
EDX-1006, EDX-1002, EDX-2006

EDX-SERIES DOUBLE ACTING, HIGH TONNAGE CYLINDERS

Features

- ◆ Complies with ASME B30.1 standards. High grade steel cylinder is heat treated for additional strength.
- ◆ Safety valve in retraction side of cylinder helps to prevent damage in case of accidental over pressurization.
- ◆ Easy to carry with threaded hole and ring bolt.
- ◆ High flow EAB-201 quick coupler.
- ◆ Environmentally friendly painting process provides a durable corrosion resistant finish.
- ◆ Double Acting, Hydraulic return.



Cylinder Capacity @700bar	Stroke	Model	Max. Cylinder Capacity	
			Advance	Retract
ton	in		ton	ton
50	1.97	EDX-502	59.1	29
	3.94	EDX-504	59.1	29
	5.91	EDX-506	59.1	29
	7.87	EDX-508	59.1	29
	9.84	EDX-5010	59.1	29
	11.81	EDX-5012	59.1	29
100	1.97	EDX-1002	102.9	48
	3.94	EDX-1004	102.9	48
	5.91	EDX-1006	102.9	48
	7.87	EDX-1008	102.9	48
	9.84	EDX-10010	102.9	48
	11.81	EDX-10012	102.9	48
150	1.97	EDX-1502	153.9	75
	3.94	EDX-1504	153.9	75
	5.91	EDX-1506	153.9	75
	7.87	EDX-1508	153.9	75
	9.84	EDX-15010	153.9	75
	11.81	EDX-15012	153.9	75
200	1.97	EDX-2002	206.1	98
	5.91	EDX-2006	206.1	98
	11.81	EDX-20012	206.1	98
250	1.97	EDX-2502	284	118
	5.91	EDX-2506	284	118
	11.81	EDX-25012	284	118
300	1.97	EDX-3002	353.6	117
	5.91	EDX-3006	353.6	117
	11.81	EDX-30012	353.6	117
400	1.97	EDX-4002	433.9	150
	5.91	EDX-4006	433.9	150
	11.81	EDX-40012	433.9	150
500	1.97	EDX-5002	566.3	192
	5.91	EDX-5006	566.3	192
	11.81	EDX-50012	566.3	192
600	1.97	EDX-6002	662	229
	5.91	EDX-6006	662	229
	11.81	EDX-60012	662	229
800	1.97	EDX-8002	911.6	300
	5.91	EDX-8006	911.6	300
	11.81	EDX-80012	911.6	300
1000	1.97	EDX-10002	1136	420
	5.91	EDX-10006	1136	420
	11.81	EDX-100012	1136	420

EDX-SERIES



Cylinder Effective Area		Oil Capacity		Collapsed Height	Extended Height	Outside Diam.	Plunger Diam.	Base Fix Holes			Weight	Model
Advance	Retract	Advance	Retract	A	B	D	F	Bolt Circle	Thread	Depth		
in ²	in ²	in ³	in ³	in	in	in	in	in	mm	in	lbs	
12.17	6.20	23.94	12.20	6.38	8.35	5.08	2.76	2.56	M12	0.87	35.2	EDX-502
12.17	6.20	47.89	24.40	8.35	12.28	5.08	2.76	2.56	M12	0.87	41.8	EDX-504
12.17	6.20	71.83	36.60	10.31	16.22	5.08	2.76	2.56	M12	0.87	50.6	EDX-506
12.17	6.20	95.77	48.80	12.28	20.16	5.08	2.76	2.56	M12	0.87	57.2	EDX-508
12.17	6.20	119.71	61.00	14.25	24.09	5.08	2.76	2.56	M12	0.87	66.0	EDX-5010
12.17	6.20	143.66	73.20	16.22	28.03	5.08	2.76	2.56	M12	0.87	74.8	EDX-5012
20.57	9.59	40.50	18.85	7.05	9.02	6.50	3.74	3.74	M12	0.87	61.6	EDX-1002
20.57	9.59	80.95	37.76	9.02	12.95	6.50	3.74	3.74	M12	0.87	74.8	EDX-1004
20.57	9.59	121.45	56.61	10.98	16.89	6.50	3.74	3.74	M12	0.87	88.0	EDX-1006
20.57	9.59	161.96	75.46	12.95	20.83	6.50	3.74	3.74	M12	0.87	101.2	EDX-1008
20.57	9.59	202.40	94.31	14.92	24.76	6.50	3.74	3.74	M12	0.87	114.4	EDX-10010
20.57	9.59	242.90	113.22	16.89	28.70	6.50	3.74	3.74	M12	0.87	127.6	EDX-10012
31.16	15.05	61.31	29.62	7.72	9.69	8.07	4.53	5.12	M12	0.87	105.6	EDX-1502
31.16	15.05	122.61	59.23	9.69	13.62	8.07	4.53	5.12	M12	0.87	125.4	EDX-1504
31.16	15.05	183.92	88.85	11.65	17.56	8.07	4.53	5.12	M12	0.87	145.2	EDX-1506
31.16	15.05	245.22	118.46	13.62	21.50	8.07	4.53	5.12	M12	0.87	165.0	EDX-1508
31.16	15.05	306.53	148.08	15.59	25.43	8.07	4.53	5.12	M12	0.87	187.0	EDX-15010
31.16	15.05	367.83	177.69	17.56	29.37	8.07	4.53	5.12	M12	0.87	206.8	EDX-15012
41.65	19.47	81.98	38.31	8.35	10.31	9.25	5.31	6.50	M12	0.87	149.6	EDX-2002
41.65	19.47	245.89	114.92	12.28	18.19	9.25	5.31	6.50	M12	0.87	204.6	EDX-2006
41.65	19.47	491.72	229.85	18.19	30.00	9.25	5.31	6.50	M12	0.87	283.8	EDX-20012
56.25	23.13	110.72	46.54	9.25	11.22	10.83	6.50	7.48	M12	0.87	228.8	EDX-2502
56.25	23.13	332.08	139.63	13.19	19.09	10.83	6.50	7.48	M12	0.87	305.8	EDX-2506
56.25	23.13	664.11	279.26	19.09	30.91	10.83	6.50	7.48	M12	0.87	422.4	EDX-25012
70.09	23.82	137.92	46.91	12.68	14.65	12.20	7.87	7.09	M16	1.18	389.4	EDX-3002
70.09	23.82	413.76	140.67	16.61	22.52	12.20	7.87	7.09	M16	1.18	490.6	EDX-3006
70.09	23.82	827.53	281.27	22.52	34.33	12.20	7.87	7.09	M16	1.18	644.6	EDX-30012
88.66	29.2	174.46	64.36	14.72	16.69	13.78	8.46	8.07	M16	1.18	607.2	EDX-4002
88.66	29.2	462.38	193.07	18.66	24.57	13.78	8.46	8.07	M16	1.18	741.4	EDX-4006
88.66	29.2	924.76	386.13	24.57	36.38	13.78	8.46	8.07	M16	1.18	939.4	EDX-40012
113.18	37.14	222.71	73.08	16.50	18.46	15.75	9.84	9.84	M24	1.42	888.8	EDX-5002
113.18	37.14	668.13	219.23	20.43	26.34	15.75	9.84	9.84	M24	1.42	1064.8	EDX-5006
113.18	37.14	1336.27	438.47	26.34	38.15	15.75	9.84	9.84	M24	1.42	1328.8	EDX-50012
132.51	47.06	260.78	92.60	16.89	18.86	16.93	10.43	10.83	M24	1.42	1049.4	EDX-6002
132.51	47.06	782.26	277.79	20.83	26.73	16.93	10.43	10.83	M24	1.42	1249.6	EDX-6006
132.51	47.06	1564.47	555.59	26.73	38.54	16.93	10.43	10.83	M24	1.42	1546.6	EDX-60012
180.36	59.63	354.90	117.36	19.06	21.02	19.88	12.60	12.99	M24	1.42	1643.4	EDX-8002
180.36	59.63	1064.69	352.03	22.99	28.90	19.88	12.60	12.99	M24	1.42	1927.2	EDX-8006
180.36	59.63	2129.39	704.00	28.90	40.71	19.88	12.60	12.99	M24	1.42	2354.0	EDX-80012
224.98	80.15	442.74	157.75	22.20	24.17	22.05	13.58	14.76	M24	1.42	2354.0	EDX-10002
224.98	80.15	1328.15	473.18	26.14	32.05	22.05	13.58	14.76	M24	1.42	2690.6	EDX-10006
224.98	80.15	2656.25	946.29	32.05	43.86	22.05	13.58	14.76	M24	1.42	3194.4	EDX-100012