

Cim 73

BRONZE OBLIQUE LOADED WITHOUT DRAIN



This article was made in compliance with the quality management requirements of standard ISO 9001:2008. All articles are tested according to the standard EN 12266-1:2003.

It can be used in a wide variety of sectors and in any industrial or agricultural application where a regulation is required: heating, water, sanitary systems, pneumatic systems, saturated steam, oil, gasoline and other hydrocarbons and generally with any non corrosive liquid.

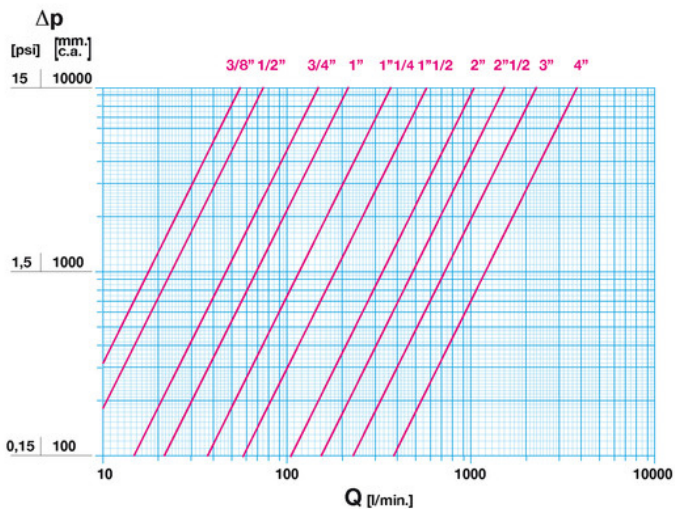
It is guaranteed for 5 years.

It is made of a bronze alloy that complies with standard EN 1982-CC491K.

Nominal Pressure: PN20

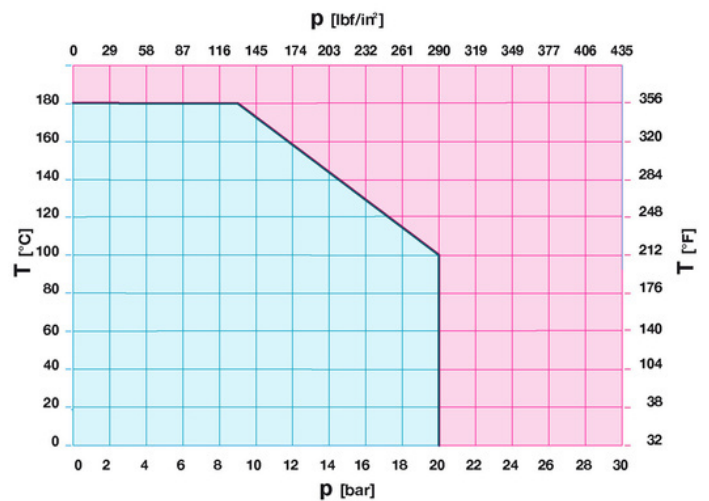
Operating temperature: -10 ÷ 180°C

FLOW AND PRESSURE DROP



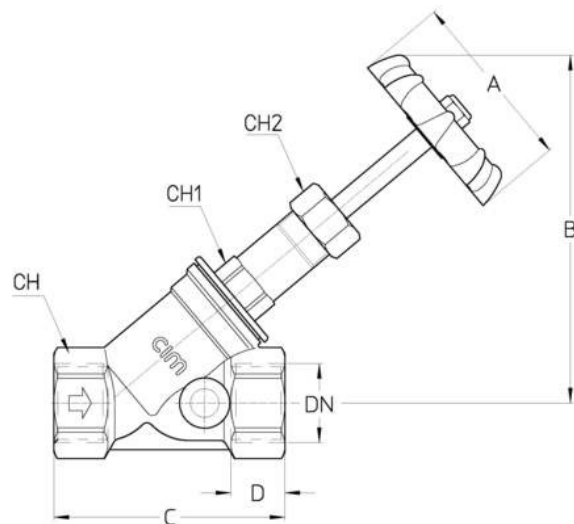
Notes:
 1 l/min = 0,06 m³/h
 1 m³/h = 16,67 l/min
 1 bar = 10.000 mm w.c.
 1 psi = 690 mm w.c.

PRESSURE TEMPERATURE RATINGS



Notes:
 1 bar = 14,5 psi
 1 bar = 14,5 lbf/in²
 °C = 5/9 x (°F-32)
 °F = 32 + (9/5 x °C)

TECHNICAL DRAWING



DN	3/8"	1/2"	3/4"	1"	1"1/4	1"1/2	2"	2"1/2	3"	4"
Grms.	290	330	495	720	1120	1310	2200	4200	6200	10820
A	55	55	60	65	75	80	90	120	140	175
B	83	85	101	116	135	147	178	225	308	366
C	55	59	68	76	92	100	125	148	175	217
D	10	11	11	13,5	15	15	19	21	24	25
CH	23	28	34	41	51	56	71	88	102	129
CH1	17	17	21	24	26	30	32	55	63	80
CH2	19	19	21	24	27	27	30	37	39	50

Thread:
ISO 228

Upon request:
ANSI B.1.20.1 - NPT

TECHNICAL CHARACTERISTICS

KV										
DN	3/8"	1/2"	3/4"	1"	1"1/4	1"1/2	2"	2"1/2	3"	4"
KV	3,3	4,5	8,8	13	22	34	62	90	138	216

KV = Flow rate in m³/h with a pressure drop of 1 bar

OUR CERTIFICATIONS

