

How to Order?

Series No.	Ways	Positions	Port size	Button type	color code	Thread type
MS M MJ	3: 3 ways 5: 5 ways	2: 2 position	06: 1/8" 08: 1/4"	Blank: No button S1: The button with arrow mark S2: Roller type S3: Button with "Reset" mark S4: Concave button S5: Flat button S6: Mushroom head button Note: S1 and S3 with manual return, Others with spring return.	G: Green B: Black R: Red	Blank: G P: PT T: NPT

Order Example:
M series mechanical valve, 3/2 way, 1/8" port size, with green button with arrow mark, G thread, ERP code is: M32-06S1G

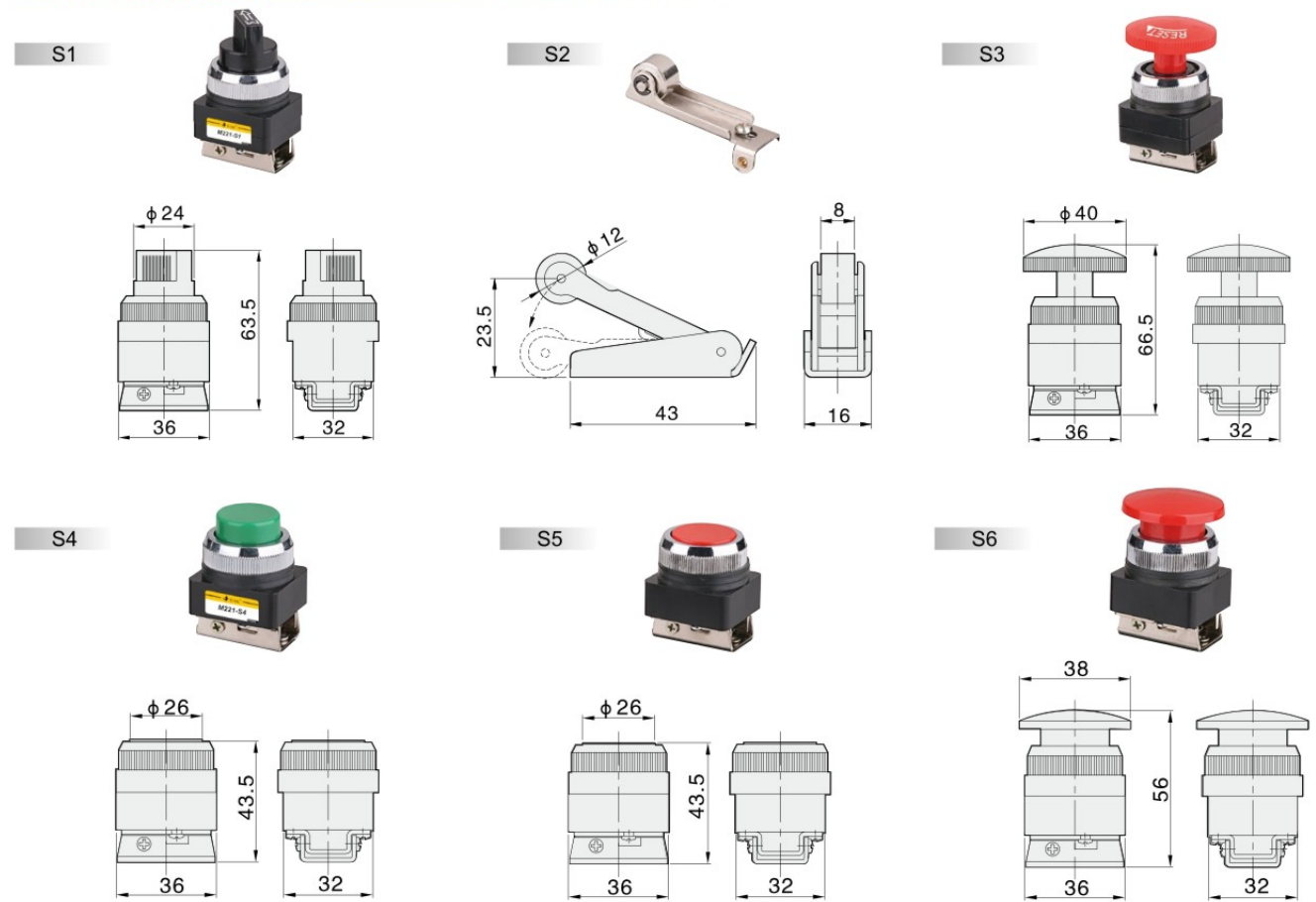
Product Features

- * Black color is standard color, different colors are optional
- * Controlled by mechanical force
- * Various buttons are available

Specifications

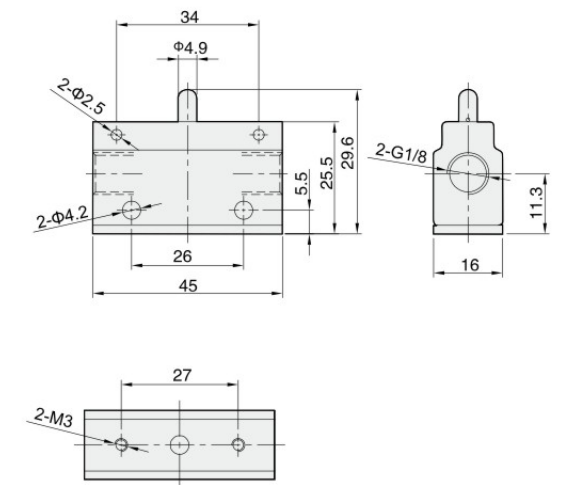
Model	MS32-06	MJ32-08	M32-08	M52-08
Working medium	Clean air(After 25 μm filtration)			
Acting type	External control			
Lubrication	Not required			
Working pressure (Bar)	0-8			
Guaranteed pressure (Bar)	12			
Working temperature (°C)	-5 - 80			
Max. acting frequency	5 cycles/s			
Port size	1/8", 1/4"			

Main Dimensions for Button

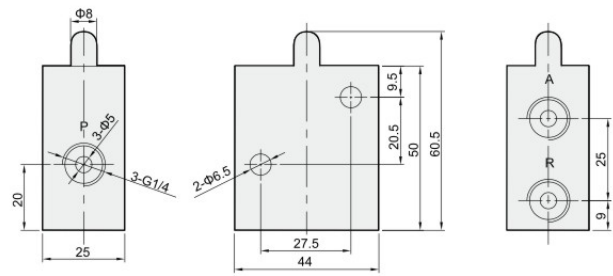


Main Dimension

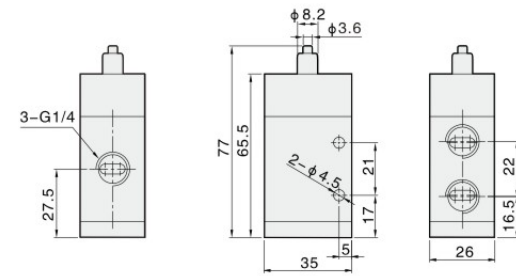
MS32 Series



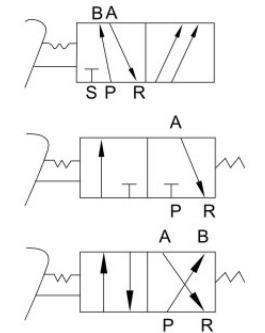
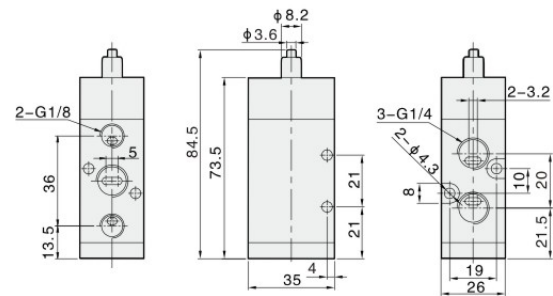
MJ32 Series



M32 Series



M52 Series



How to Order?

Series No.	Ways	Positions	Valve body size	Type	Port size	Valve type	Thread type
F: F series foot valve	3: 3 ways 4: 4 ways 5: 5 ways	2: 2 position	2: 2 series	Blank: No cover C: With cover	08: 1/4"	Blank: Basic type L: With lock N: New valve body LB: With lock, big valve body	Blank: G P: PT T: NPT

Order Example:

F series foot valve, 5/2 way, 2 series valve body, without cover, 1/4" port size, with lock, G thread, ERP code is: F522-08L

Product Features

- * Strong design and work in harsh environment
- * Various types are available

Specifications

Model	F322	F422	F522
Working medium	Clean air(After 25 μm filtration)		
Acting type	External control		
Lubrication	Not required		
Working pressure (Bar)	0-7		0-8
Max pressure (Bar)		12	
Working temperature (°C)	-5-60		0-60
Port size	1/4"		