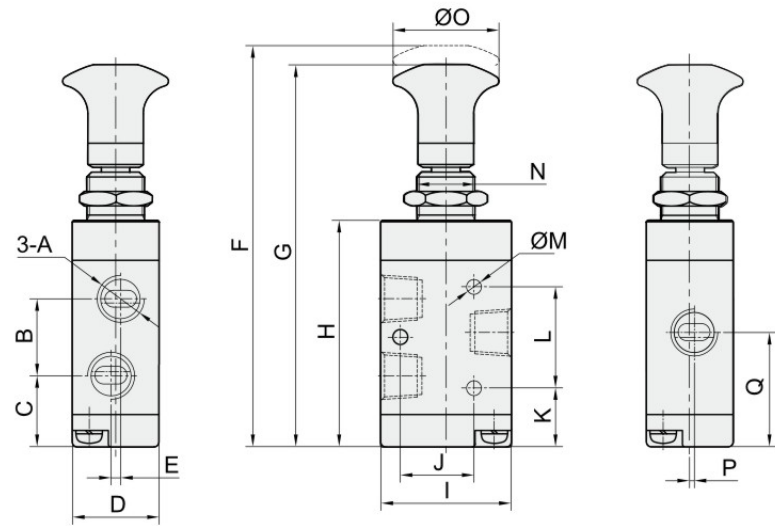


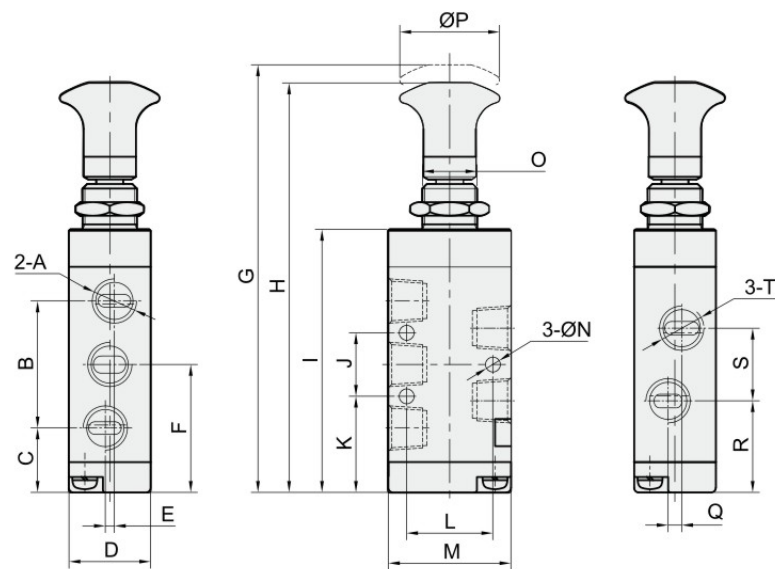
○ Main Dimension

L321/L322/L323/L324

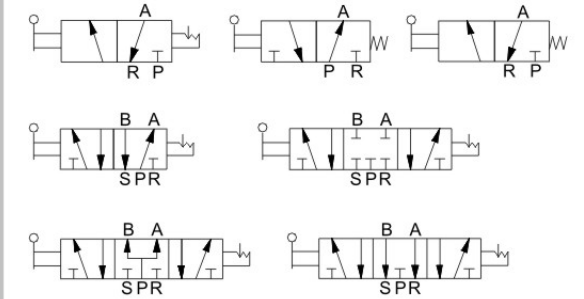


Model/Sign	L321	L322-06	L322-08	L323-08	L323-10	L324-10	L324-15
A	G1/8	G1/8	G1/4	G1/4	G3/8	G3/8	G1/2
B	16	18.5	22.5	22	24	31.5	31.5
C	14.7	18.45	16.45	21.5	20.5	29.25	29.8
D	18	22	22	27	27	34	34
E	2	0	0	0	2	0	0
F	84.5	94	94	111.3	111.3	141	141
G	80.5	89.7	89.7	105.7	105.7	136	136
H	44.7	54.7	54.7	63.5	63.5	87.5	87.5
I	27	35	35	40	40	50	50
J	19	24	24	28	28	36	36
K	15.7	17.7	17.7	20.5	20.5	31	31
L	14	20	20	24	24	28	28
M	3.1	4.3	4.3	4.3	4.3	4.3	4.3
N	M14x1	M14x1	M14x1	M14x1	M14x1	M22x2.5	M22x2.5
O	22.5	22.5	22.5	32	32	32	32
P	1	0	1.5	0	2	2	2
Q	22.7	27.7	27.7	32.5	32.5	45	45

L521/L522/L523/L524



Model/Sign	L521	L522-06	L522-08	L523-08	L523-10	L524-10	L524-15
A	G1/8	G1/8	G1/4	G1/4	G1/4	G3/8	G1/2
B	28	35	35	45	45	63	63
C	14.2	14.2	14.2	17.5	17.5	25.5	25.5
D	18	22	22	27	27	34	34
E	1	0	0	0	4	0	0
F	28.2	31.7	31.7	40	40	57	57
G	95.5	102	102	126.3	126.3	165	165
H	91.5	98	98	120.7	120.7	160	160
I	55.7	62.7	62.7	78.5	78.5	111.5	111.5
J	14	20	20	24	24	28	28
K	21.2	21.7	21.7	28	28	43	43
L	19	24	24	28	28	36	36
M	27	35	35	40	40	50	50
N	3.3	4.3	4.3	4.3	4.3	5.5	5.5
O	M14x1	M14x1	M14x1	M14x1	M14x1	M22x1.5	M22x1.5
P	22.5	22.5	22.5	32	32	32	32
Q	3	0	3	0	4	0	4
R	20.2	22.7	21.7	28	28	39	39
S	16	18	20	24	24	36	35.5
T	G1/8	G1/8	G1/4	G1/4	G3/8	G3/8	G1/2



○ How to Order?

Series No.	Ways	Positions	Valve body size	Original status	Port size	Reset	Thread type
H	3:3 ways 5:5 ways	2:2 positions 3:3 positions	1: 1 Series 2: 2 Series 3: 3 Series 4: 4 Series	Blank: NC H:NO C: Center close P: Center pressure E: Center exhaust (Only for 5/3 way)	1 Series M5: M5 06: 1/8" 2 Series 06: 1/8" 08: 1/4" 3 Series 08: 1/4" 10: 3/8" 4 Series 10: 3/8" 15: 1/2"	Blank: Manual reset S: Spring return	Blank: G P: PT T: NPT

Order Example:

H series hand push valve, 3/2 way, 2 series valve body, NC type, 1/4" port size, manual reset, black valve body, G thread, ERP code is: H322-08

○ Product Features

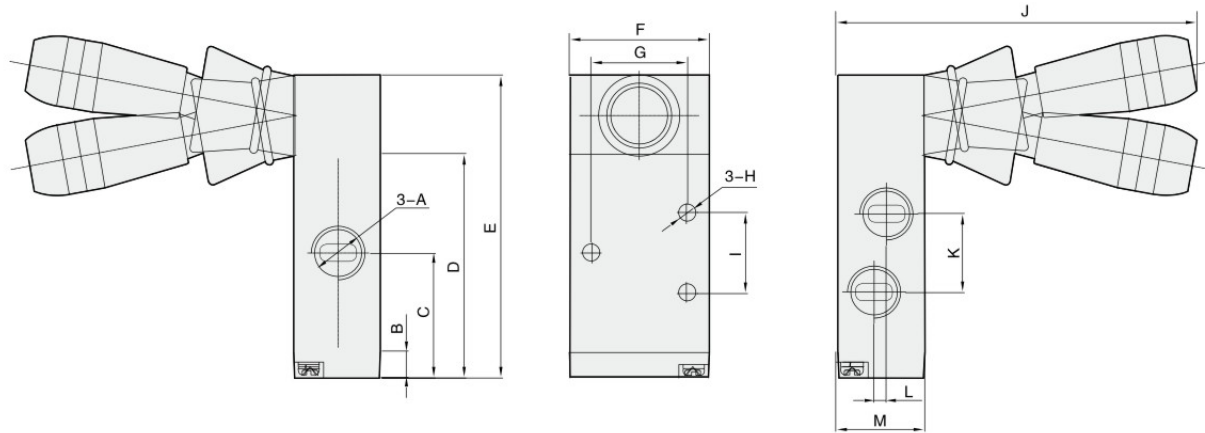
- \* Manual operated
- \* Various working style are available
- \* Black color is standard color, different color are optional

○ Specifications

Model	H Series Hand push valve
Working medium	Clean air(After 25 μm filtration)
Acting type	External control
Lubrication	Not required
Working pressure (Bar)	0-8
Guaranteed pressure (Bar)	12
Working temperature (°C)	-5-80
Seal material	NBR

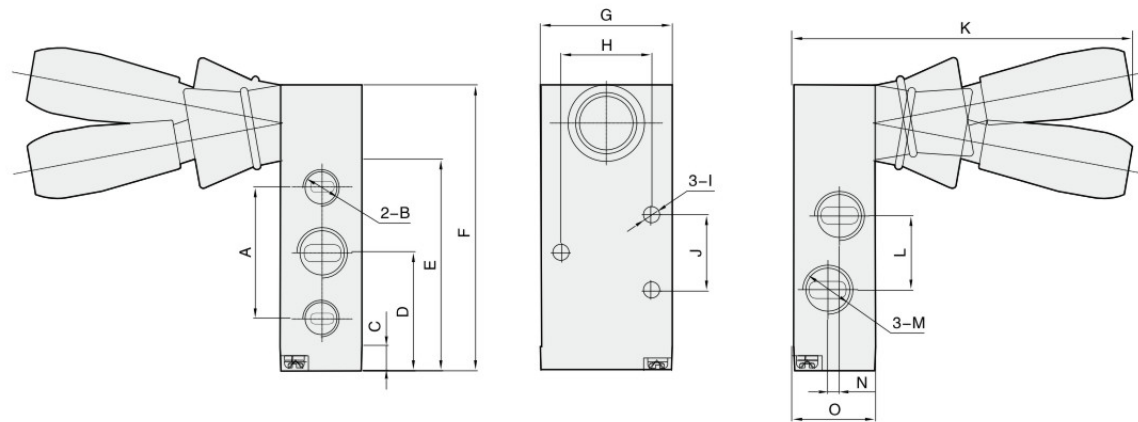
○ Main Dimension

H321/H322/H323/H324



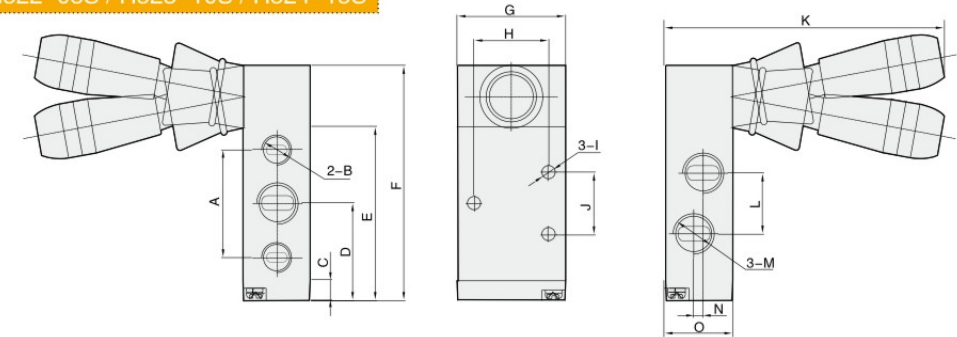
Model/Sign	A	B	C	D	E	F	G	H	I	J	K	L	M
H321-06	G1/8	6.7	23.7	38.7	58.7	27	19	Φ3.1	14	83.8	16	2	18
H322-08	G1/4	6.7	28.7	48.7	68.7	35	24	Φ4.3	20	90	22.5	0	22
H323-10	G3/8	7.5	32.5	57.5	77.7	40	27	Φ4.3	24	99.3	24	2	27
H324-15	G1/2	10	45	80	108	50	36	Φ5.5	28	105.8	31.5	0	34

H521/H522/H523/H524



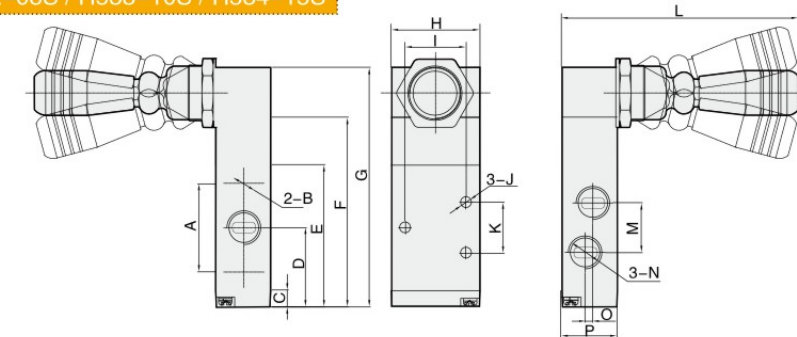
Model/Sign	A	B	C	D	E	F	G	H	I	J	K	L	M	N	O
H521-06	28	G1/8	6.7	28.2	49.7	69.7	27	19	Φ3.3	14	83.8	16	G1/8	3	18
H522-08	35	G1/8	6.7	31.7	56.7	76.7	35	24	Φ4.3	20	90	20	G1/4	3	22
H523-10	45	G1/4	7.5	40	72.5	92.5	40	28	Φ4.3	24	96.5	24	G3/8	4	27
H524-15	63	G1/2	10	57	104	132	50	36	Φ5.5	28	105.8	36	G1/2	4	34

H521-06S / H522-08S / H523-10S / H524-15S



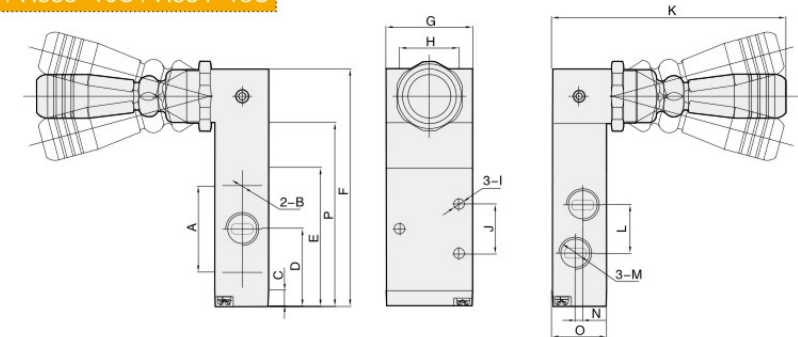
Model/Sign	A	B	C	D	E	F	G	H	I	J	K	L	M	N	O
H521-06S	28	G1/8	6.7	28.2	49.7	69.7	27	19	Φ3.3	14	83.8	16	G1/8	3	18
H522-08S	35	G1/8	6.7	31.7	56.7	76.7	35	24	Φ4.3	20	90	20	G1/4	3	22
H523-10S	45	G1/4	7.5	40	72.5	92.5	40	28	Φ4.3	24	96.5	24	G3/8	4	27
H524-15S	63	G1/2	10	57	104	132	50	36	Φ5.5	28	105.8	36	G1/2	4	34

H531-06S / H532-08S / H533-10S / H534-15S



Model/Sign	A	B	C	D	E	F	G	H	I	J	K	L	M	N	O	P
H531-06S	28	G1/8	6.5	28.2	49.7	64.5	84.7	27	19	Φ3.3	14	92.5	16	G1/8	3	18
H532-08S	35	G1/8	6.5	31.7	56.7	75.5	97.7	35	24	Φ4.3	20	94.2	20	G1/4	3	22
H533-10S	44	G1/4	7.5	40	72.5	91.5	113.5	40	28	Φ4.3	24	100	24	G3/8	4	27
H534-15S	63	G1/2	10	57	104	124	154	50	36	Φ5.5	28	109.6	36	G1/2	4	34

H531-06C / H532-08C / H533-10C / H534-15C



Model/Sign	A	B	C	D	E	F	G	H	I	J	K	L	M	N	O	P
H531-06C	28	G1/8	6.5	28.2	49.7	84.7	27	19	Φ3.3	14	92.5	16	G1/8	3	18	64.5
H532-08C	35	G1/8	6.5	31.7	56.7	97.7	35	24	Φ4.3	20	94.2	20	G1/4	3	22	75.5
H533-10C	44	G1/4	7.5	40	72.5	113.5	40	28	Φ4.3	24	100	24	G3/8	4	27	91.5
H534-15C	63	G1/2	10	57	104	154	50	36	Φ5.5	28	109.6	36	G1/2	4	34	124