

### How to Order?

Series No.	Ways	Positions	Valve body size	Type	Port size	Valve type	Thread type
F: F series foot valve	3: 3 ways 4: 4 ways 5: 5 ways	2: 2 position	2: 2 series	Blank: No cover C: With cover	08: 1/4"	Blank: Basic type L: With lock N: New valve body LB: With lock, big valve body	Blank: G P: PT T: NPT

**Order Example:**

F series foot valve, 5/2 way, 2 series valve body, without cover, 1/4" port size, with lock, G thread, ERP code is: F522-08L

### Product Features

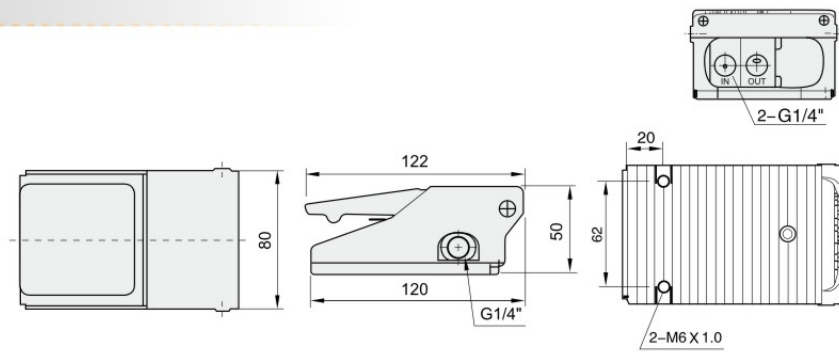
- \* Strong design and work in harsh environment
- \* Various types are available

### Specifications

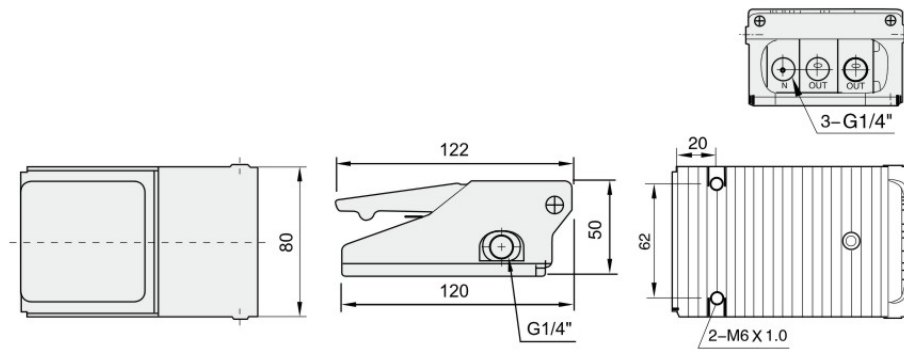
Model	F322	F422	F522
Working medium	Clean air(After 25 μm filtration)		
Acting type	External control		
Lubrication	Not required		
Working pressure (Bar)	0-7		0-8
Max pressure (Bar)	12		
Working temperature (°C)	-5 - 60		0 - 60
Port size	1/4"		

○ Main Dimension

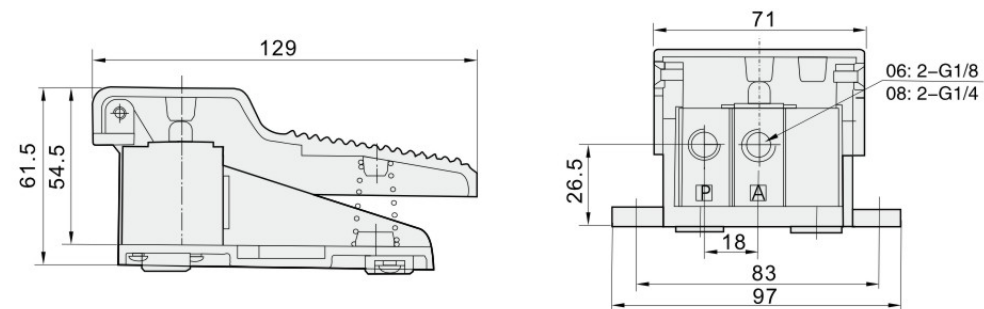
F322-08



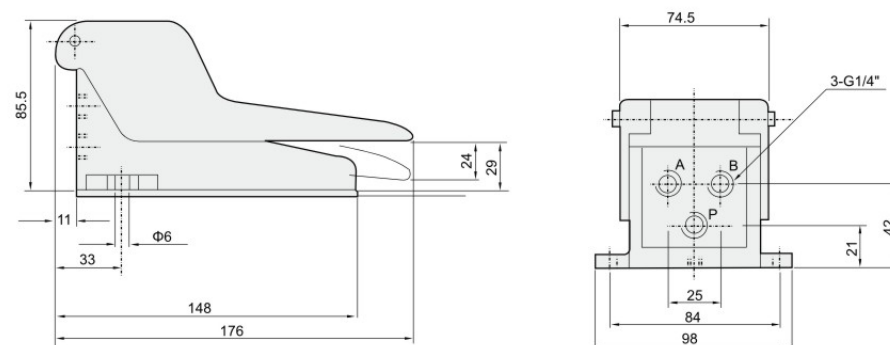
F422-08



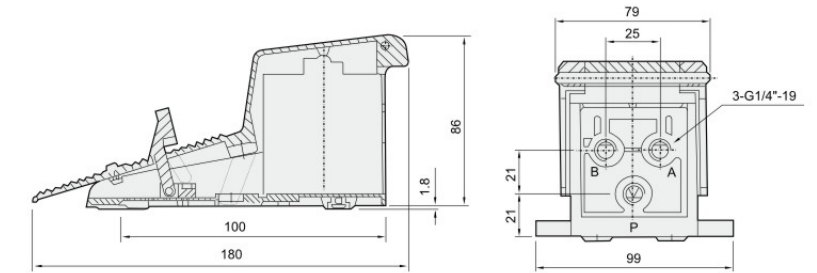
F322-08N



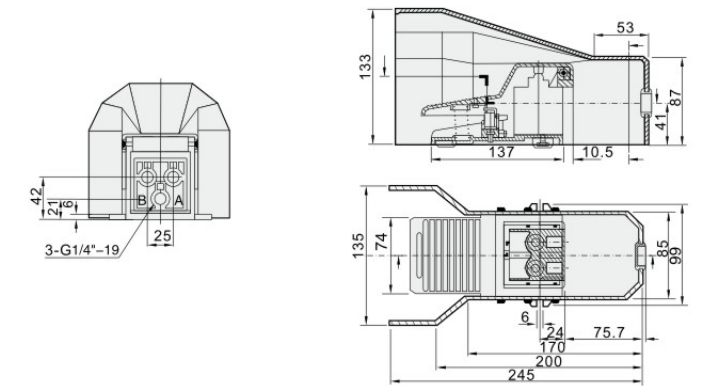
F522-08N



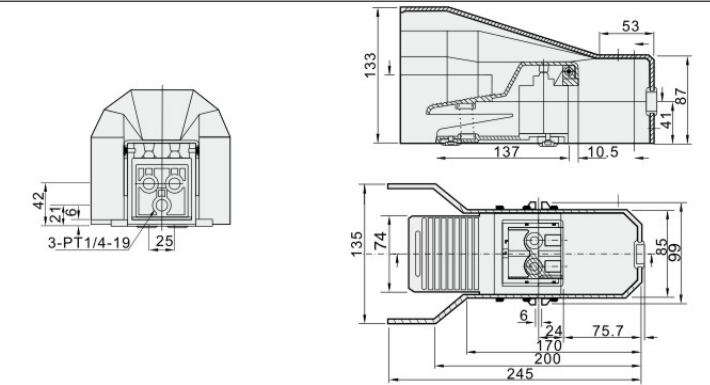
F522-08L



F522C-08L



F522C-08



F522C-08LB



New Large size

