

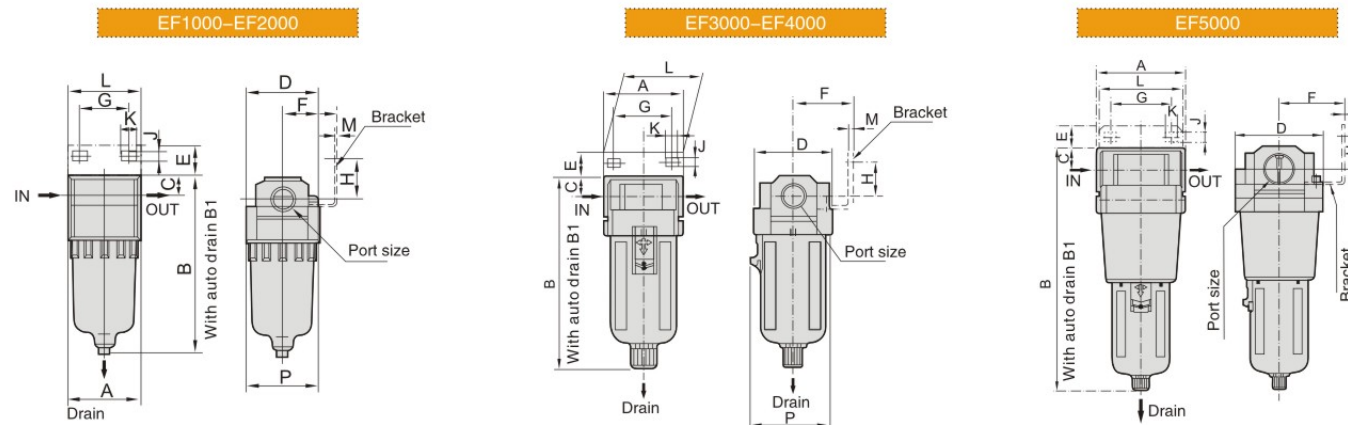
Specifications

Model	EF1000	EF2000	EF3000	EF4000	EF5000
Guaranteed pressure resistance(Bar)	15				
Max. working pressure(Bar)	10				
Working temperature(°C)	5 - 60				
Filter precision	25 μm ( 5 μm is optional )				
Bowl material	Polycarbonate				
Bowl guard	None				Available
Pressure adjusting range(Bar)	0.5 - 8.5				
Entrance pressure (Bar)	1.5-10				

Model	Specifications				Accessories Bracket	Drain function	Auto drain model
	*Rated flow (L/min)	** Port size (G)	Bowl capacity (CM <sup>3</sup> )	Weight (kg)			
EF1000-M5	110	M5	4	0.07	-	Manual drain	EF2000-01D
EF2000-01	1222	1/8	15	0.19	B240		EF2000-02D
EF2000-02	1278	1/4	20	0.29	B340	a. Zero pressure drain b. Manual drain	EF3000-02D
EF3000-02	2006	1/4	20	0.29	B340		EF3000-03D
EF3000-03	2148	3/8	45	0.55	B440	EF4000-03D	
EF4000-03	5120	3/8	45	0.58	B540	EF4000-04D	
EF4000-04	5430	1/2	130	1.08	B640	EF4000-06D	
EF4000-06	7680	3/4				EF5000-06D	
EF5000-06	8200	3/4				EF5000-10D	
EF5000-10	8500	1					

\* The above information is based on 6.3 Bar supply pressure and 1.0 Bar set pressure \* NPT,PT port size is optional

Main Dimensions (mm)



Model	Port Size (G)	A	B	B1	C	D	E	F	G	H	J	K	L	M	P
EF1000	M5	25	66	-	7	25	-	-	-	-	-	-	-	-	26.5
EF2000	1/8"-1/4"	40	97.5	135.5	11	40	17	30	27	22	5.4	8.4	40	2.3	40
EF3000	1/4"-3/8"	53	132.5	146	14	53	16	41	40	23	6.5	8	53	2.3	56
EF4000	3/8"-1/2"	70	168.5	171.5	18	70	17	50	54	26	8.5	10.5	70	2.3	73
EF4000-06	3/4"	75	172.5	175.5	20	70	14	50	54	25	8.5	10.5	70	2.3	73
EF5000	3/4"-1"	90	247.5	250.5	24	90	23	66.5	66	35	11	13	90	3.2	90

Specifications

Model	EL1000	EL2000	EL2500	EL3000	EL4000	EL5000
Guaranteed pressure resistance(Bar)	15					
Max. working pressure(Bar)	10					
Working temperature(°C)	5 - 60					
Recommended oil	Turbine No.1 Oil ISOVG32					
Bowl material	Polycarbonate					
Bowl guard	None				Available	
Entrance pressure (Bar)	1.5-10					

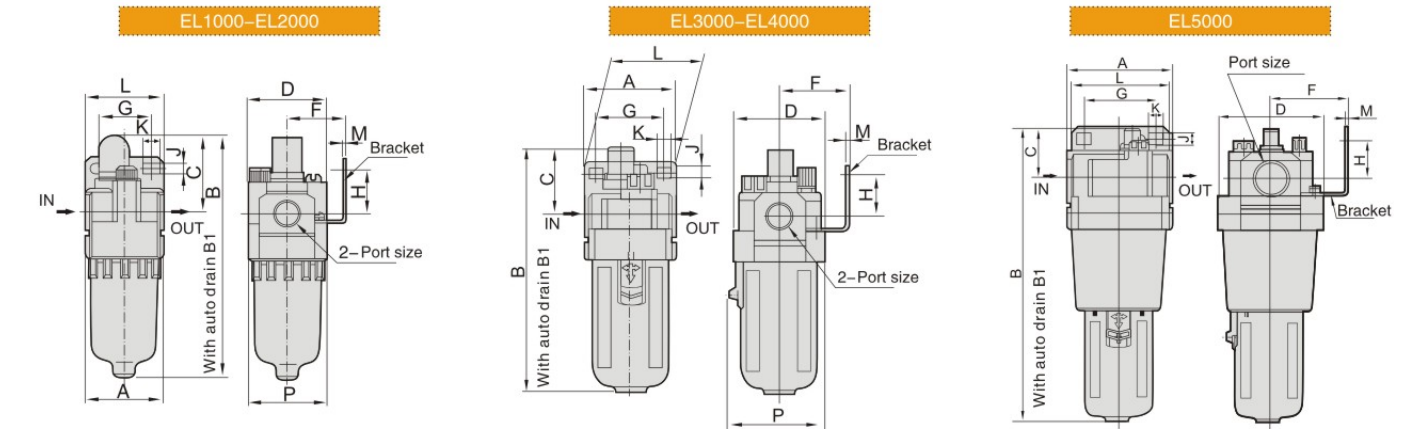
Model	Specifications					Accessories Bracket
	Minimal flow of oil drop (L/min)	*Rated flow(L/min)	** Port size (G)	Bowl capacity (CM <sup>3</sup> )	Weight (kg)	
EL1000-M5	4	95	M5	7	0.07	-
EL2000-01	15	1300	1/8	25	0.22	B240
EL2000-02		1345	1/4			
EL3000-02	30	2310	1/4	50	0.50	B340
EL3000-03	40	2375	3/8			
EL4000-03	40	5321	3/8	130	0.56	B440
EL4000-04	50	5532	1/2			
EL4000-06	50	6700	3/4	130	0.58	B540
EL5000-06		7700	3/4			
EL5000-10	190	8000	1	130	1.08	B640

\* The above information is based on 6.3 Bar supply pressure,the flow of oil drop is 2-3 drops/min,the temperature of Turbine No.1 oil is 20° C

\* The above information is based on 6.3 Bar supply pressure and 1.0 Bar step down

\* NPT,PT port size is optional

Main Dimensions (mm)



Model	Port Size (G)	A	B	B1	C	D	F	G	H	J	K	L	M	P
EL1000	M5	25	81.5	-	25.5	25	-	-	-	-	-	-	-	27
EL2000	1/8"-1/4"	40	122	160	38	40	30	27	22	5.4	8.4	40	2.3	40
EL3000	1/4"-3/8"	54	142	155.5	38	53	41	40	23	6.5	8	53	2.3	56
EL4000	3/8"-1/2"	70	177	180	41	70	50	54	26	8.5	10.5	70	2.3	73
EL4000-06	3/4"	75	177	180	39	70	50	54	26	8.5	10.5	70	2.3	73
EL5000	3/4"-1"	90	254	257	45.5	90	66.5	66	35	11	13	90	3.2	90