

Specifications

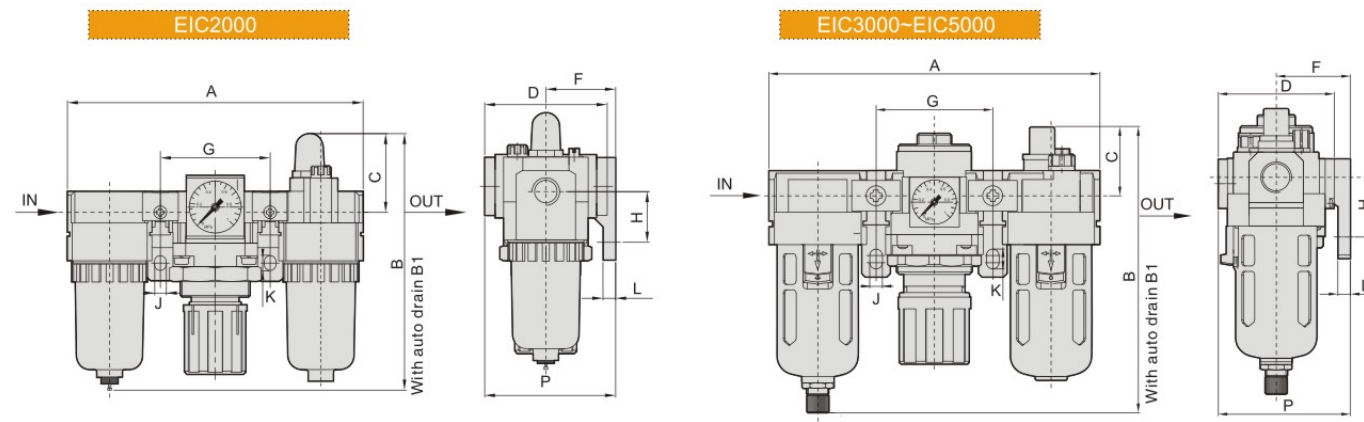
Model	EIC2000	EIC3000	EIC4000	EIC5000
Guaranteed. pressure resistance(Bar)	15			
Max. working pressure(Bar)	10			
Working temperature(°C)	5 - 60			
Filter precision	25 μm(5 μm is optional)			
Recommended oil	Turbine No.1 Oil ISOVG32			
Bowl material	Polycarbonate			
Bowl guard	None	Available		
Pressure adjusting range(Bar)	0.5 - 8.5			
Valve type	With overflow			

Model	Specifications			* Rated flow (L/min)	** Port size (G)
	Filter	Regulator	Lubricator		
EIC2000-01	EIF2000	EIR2000	EIL2000	1000	1/8
EIC2000-02				1100	1/4
EIC3000-02	EIF3000	EIR3000	EIL3000	1950	1/4
EIC3000-03				2105	3/8
EIC4000-03	EIF4000	EIR4000	EIL4000	4950	3/8
EIC4000-04				5200	1/2
EIC5000-06	EIF5000	EIR5000	EIL5000	6200	3/4
EIC5000-10				6500	1

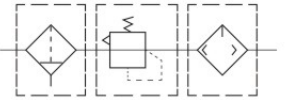
* The above information is based on 8.0 Bar supply pressure and 6.3 Bar set pressure

* NPT,PT port size is optional

Main Dimensions (mm)



Model	Port Size (G)	A	B	B1	C	D	F	G	H	J	K	L	P
EIC2000	1/8"-1/4"	140	122	160	38	54	30	50	24	5.5	8.5	5	57
EIC3000	1/4"-3/8"	184	156.5	170	38	64	41	65	35	7	11	7	71
EIC4000	3/8"-1/2"	238	191.5	194.5	41	80	50	84	40	9	13	7	88
EIC5000	3/4"-1"	300	271.5	274.5	48	90	69.8	105	50	12	16	10.5	115



Specifications

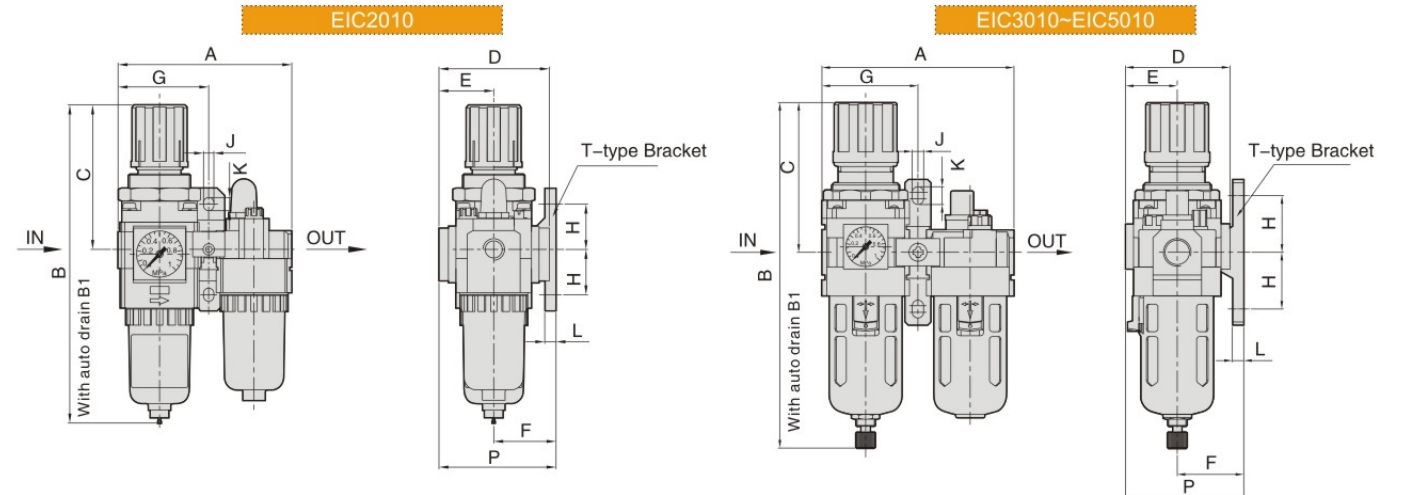
Model	EIC2010	EIC3010	EIC4010	EIC5010
Guaranteed. pressure resistance(Bar)	15			
Max. working pressure(Bar)	10			
Working temperature(°C)	5 - 60			
Filter precision	25 μm(5 μm is optional)			
Recommended oil	Turbine No.1 Oil ISOVG32			
Bowl material	Polycarbonate			
Bowl guard	None	Available		
Pressure adjusting range(Bar)	0.5 - 8.5			
Valve type	With overflow			

Model	Specifications		* Rated flow (L/min)	** Port size (G)
	Filter with pressure reducer	Lubricator		
EIC2010-01	EIW2000	EIL2000	945	1/8
EIC2010-02			960	1/4
EIC3010-02	EIW3000	EIL3000	1874	1/4
EIC3010-03			1956	3/8
EIC4010-03	EIW4000	EIL4000	4923	3/8
EIC4010-04			5120	1/2
EIC5010-06	EIW5000	EIL5000	6000	3/4
EIC5010-10			6200	1

* The above information is based on 8.0 Bar supply pressure and 6.3 Bar set pressure

* NPT,PT port size is optional

Main Dimensions (mm)



Model	Port Size (G)	A	B	B1	C	D	E	F	G	H	J	K	L	P
EIC2010	1/8"-1/4"	90	167.5	205.5	80.2	54	27	30	45	24	5.5	8.5	5	57
EIC3010	1/4"-3/8"	118	211	224.5	92.5	64	32	41	59.5	35	7	11	7	73
EIC4010	3/8"-1/2"	154	262	265	112	80	40	50	77	40	9	13	7	90
EIC5010	3/4"-1"	195	338	341	116	94	47	69.8	97.5	50	12	16	10.5	117